

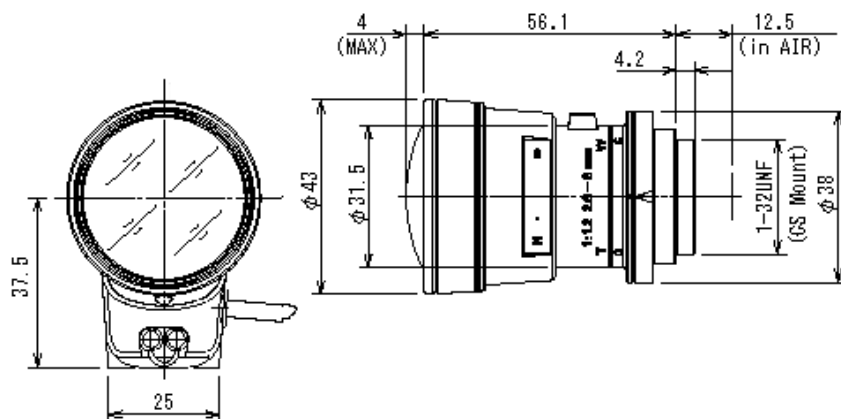
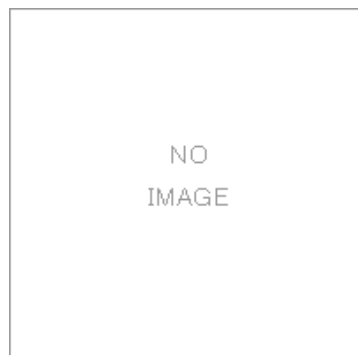


CCTV Lenses/Model : 13VA286T

Close

CCTV Lenses

13VA286T



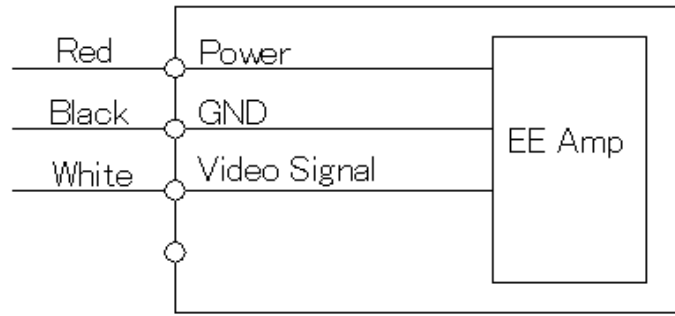
SPECIFICATIONS

		13VA286T	
Imager Size		1/3	
Mount Type		CS	
Focal Length		2.4 - 6mm	
Aperture Range		1.2 - 64	
Angle of View (Horizontal x Vertical)	1/3	Wide	88.7° x 69.2°
		Tele	44.2° x 34.0°
	1/4	Wide	69.1° x 52.8°
		Tele	34.0° x 25.9°
Focusing Range		0.3m - ∞	
Operation	Focus	Manual	
	Zoom	Manual	
	Iris	Video Auto Iris	
Filter Size		-	
Back Focus(in air)		8.54mm	
Input Voltage(Maximum Electric Power Consumption)		DC5 - 15V (50mA)	
Input		VS or V Signal	
Type of Optical Measurement		Average - Peak	
Weight		100g	

Operating Temperature

-10°C - +70°C

Wiring Diagram



[Terms of Use](#)

[Back to Top](#)

© Copyright 2002-2009 TAMRON Co.,Ltd.