

[SPECIFICATIONS] 3MegaPixel High resolution Lens

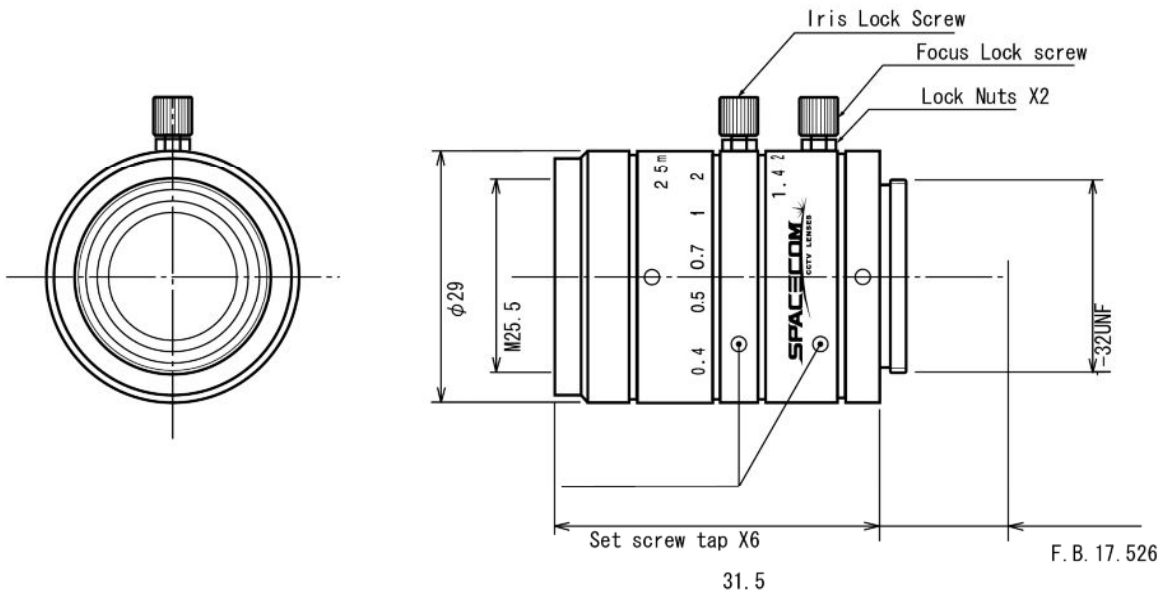
Format size: $\frac{2}{3}$ $\frac{1}{1.8}$ $\frac{1}{2}$ $\frac{1}{3}$

Focal Length : 25mm
 Maximum Relative Aperture : 1:1.4
 Iris : F1.4~16
 Angular Field of View : 20.1X15.1°
 Image Format : 8.8X6.6mm (ϕ 11mm)
 Maximum Object Distance : 0.25m (From Front Vertex)
 Object Dimensions at M.O.D. : 7.2X5.4cm
 Optical Back Focal Distance : 13.13mm (In Air)

Flange Back : 17.526mm
 Operation : Focus : Manual
 Iris : Manual
 Operatin Tenperaure : -10~+50°C
 Mount : C-Mount
 Filter Thread : 25.5mm P0.75
 Size, Weight : ϕ 29X31.5mm, 45 g

[Resolution] 3.6 μ m (Center) 5 μ m (Corner)
 [Distortion] -0.28%

【Dimensions】



Unit:mm