

# VF25AI

Image Size: (1) (2/3) (1/2) (1/3) (1/4)

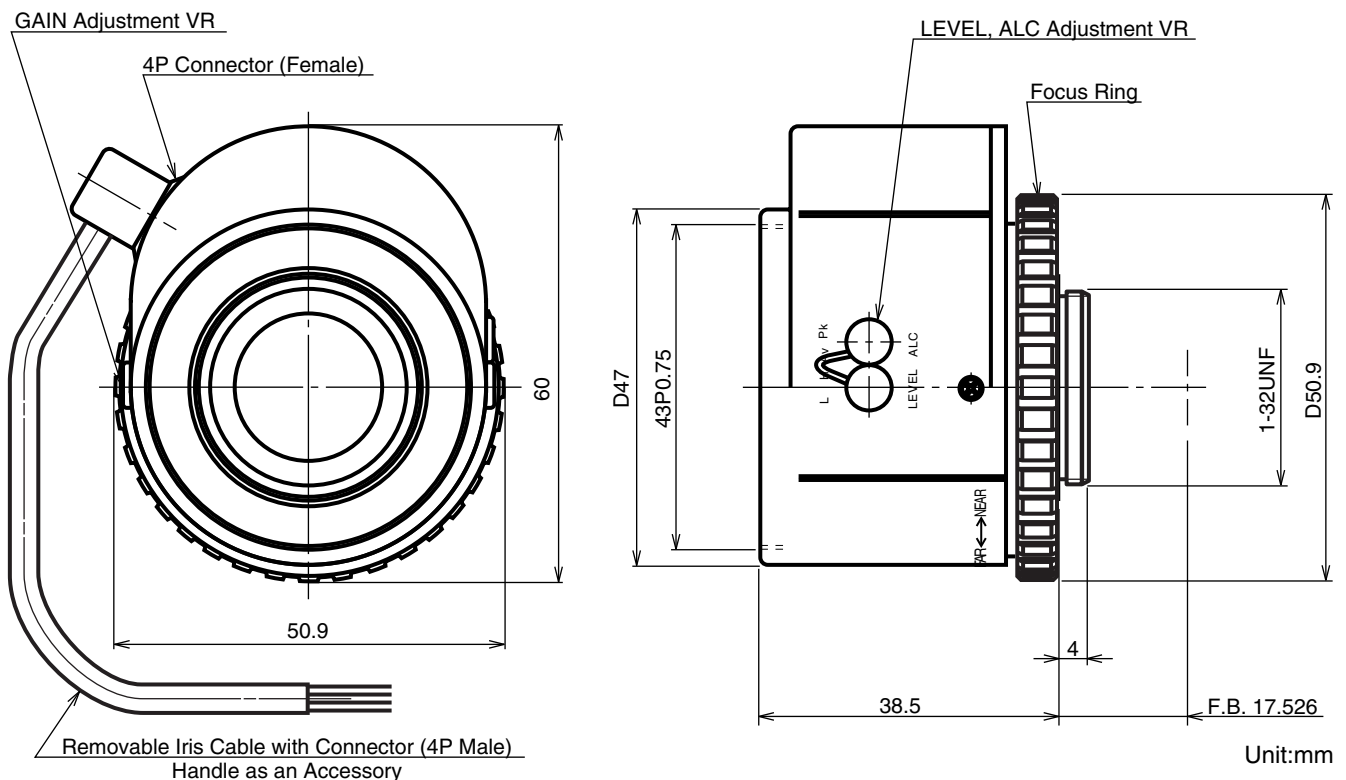
## [SPECIFICATIONS]

Focal Length :	25mm	Input Impedance :	High Impedance
Maximum Relative Aperture :	1:1.4	Operation : Focus :	Manual
Iris :	F1.4 - Approx. 360 (With ND Spot Filter)	Iris :	EE (DC+8 to 16V : Fixed Voltage, Max40mA) Speed Within 4sec.(Auto Close System)
Sensitivity Adjustment :	0.5 - 1Vp-p(Image Signal)	EE Mechanism :	The built-in EE Amp amplifies the difference between the video signal from the camera and the preset Iris signal level. It causes the Iris to change size.
Angular Field of View :	28.7 X21.7 deg.	EE Accuracy :	With Input Video Signal 0.7Vp-p Within +/-10% of Mean Value
Image Format :	12.8X9.6mm(D16mm)	Operation Temperature :	-10 to +50
Minimum Object Distance :	0.5m(From Front Vertex)	Mount :	C-Mount(Adjustable Lens Position)
Object Dimensions at M.O.D. :	27.5X21.1cm	Front Thread :	43mm P0.75
Optical Back Focal Distance :	14.32mm(In Air)	Size, Weight :	60X50.9X38.5mm, Approx. 95g
Flange Back :	17.526mm	Input Signal :	Composite Video Signal or Video Signal Approx.
Photometry Range :	40% - 70% Variable to Vp-p		

## [COMPOSITION]

- Lens .....1
- Lens Cap .....1
- Dust Cap .....1

## [DIMENSIONS]



## [CIRCUIT DIAGRAM]

