

# VF25DC

[SPECIFICATIONS]

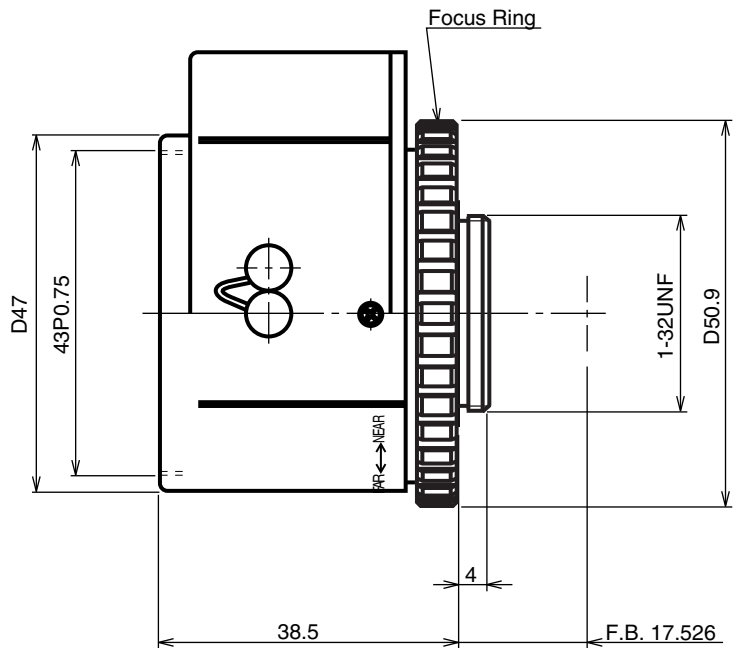
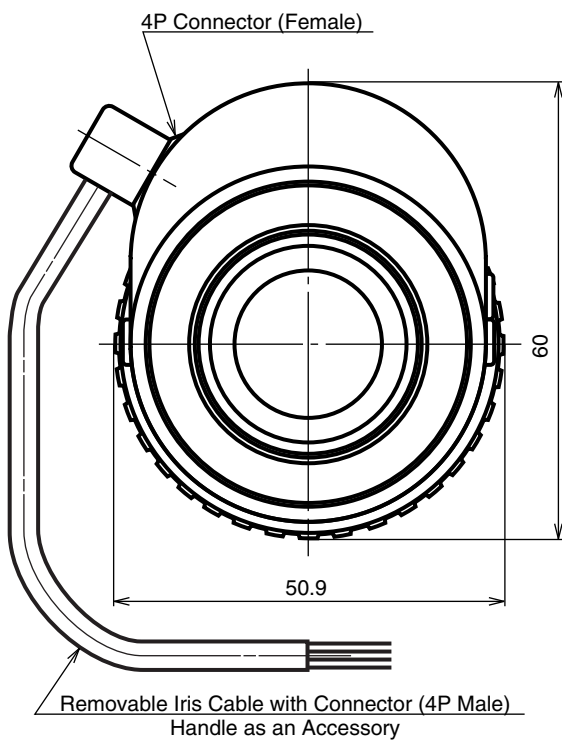
Image Size: 1 2/3 1/2 1/3 1/4

Focal Length :	25mm	Flange Back :	17.526mm
Maximum Relative Aperture :	1:1.4	Operation Voltage :	Close to Open : Less than 3V Open to Close : More than 0.5V
Iris :	F1.4 - Approx. 360 (With ND Spot Filter)	Operation :	Focus : Manual Iris : IG(Auto Close System)
Angular Field of View :	28.7 X21.7 deg.	Operation Temperature :	-10 to +50
Image Format :	12.8X9.6mm(D16mm)	Mount :	C-Mount(Adjustable Lens Position)
Minimum Object Distance :	0.5m(From Front Vertex)	Front Thread :	43mm P0.75
Object Dimensions at M.O.D. :	27.1X21.1cm	Size, Weight :	60X50.9X38.5mm, Approx. 90g
Optical Back Focal Distance :	14.32mm(In Air)		

[COMPOSITION]

- Lens .....1
- Lens Cap .....1
- Dust Cap .....1

[DIMENSIONS]



Unit:mm

[CIRCUIT DIAGRAM]

