

VF25M

Image Size: $\textcircled{1}$ $\textcircled{2/3}$ $\textcircled{1/2}$ $\textcircled{1/3}$ $\textcircled{1/4}$

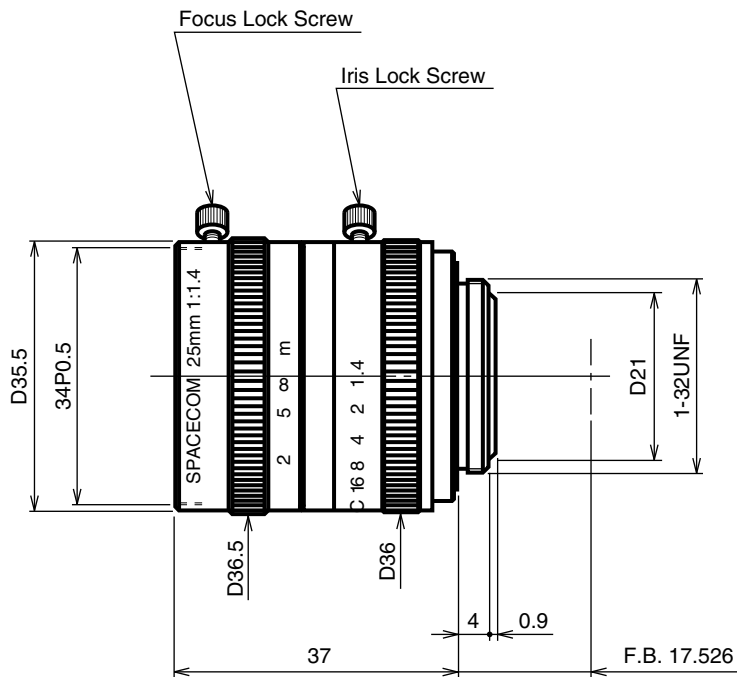
[SPECIFICATIONS]

Focal Length :	25mm	Flange Back :	17.526mm
Maximum Relative Aperture :	1:1.4	Operation :	Focus : Manual Iris : Manual
Iris :	F1.4 - Close	Operation Temperature :	-10 to +50
Angular Field of View :	28.7 X21.7deg.	Mount :	C-Mount
Image Format :	12.8X9.6mm(D16mm)	Front Thread :	34mm P0.5
Minimum Object Distance :	0.5m(From Front Vertex)	Size, Weight :	D36.5X37.0mm, Approx. 90g
Object Dimensions at M.O.D. :	27.5X21.1cm		
Optical Back Focal Distance :	14.32mm(In Air)		

[COMPOSITION]

- Lens1
- Lens Cap1
- Dust Cap1

[DIMENSIONS]



Unit:mm