

TG3Z3510AFCS

VARI FOCAL 3X 3.5~10.5mm F1.0

for 1/3" format cameras

CS-Mount

with Focus, with Amplifier

Model No.		TG3Z3510AFCS	Effective	Front	φ 18.5mm
Focal Length		3.5 ~ 10.5mm	Lens Aperture	Rear	φ 10.1mm
Max. Aperture Ratio		1 : 1.0	Back Focal Length	Tele	16.7mm
Max. Image Format		4.8 x 3.6mm (φ 6mm)		Wide	8.3mm
Operation Range	Iris	F1.0 ~ 360	Flange Back Length		12.5mm
	Focus	0.3m ~ Inf.	Mount		CS-Mount
	Zoom	3.5 ~ 10.5mm	Filter Size		M37.5 P=0.5mm
Control	Iris	Auto Iris	Dimensions		φ 38.5 x 47.5 x 48.8mm
	Focus	Manual	Weight		g
	Zoom	Manual			
Object Dimension at M.O.D.	3.5 mm	51.8 x 34.1cm			
	10.5 mm	14.5 x 10.8cm			
Angle of View	D	1/3"			108.4~34.2°
	H				81.6~27.2°
	V				59.2~20.4°
Supply Voltage		DC8.5 ~ 16V			
Current		Less than 40mA			
Response Time		Approx. 2 sec.			
Light Weighting Method		Adjustable between Average - Peak (to be set at Average at factory)			
Input Signal		Video Signal (V or VS)			
Iris Accuracy		± 15% at Video Signal Level			
Sensitivity Adjustment		0.5 ~ 1.0Vp-p (Video Signal)			
Input Impedance		High Impedance			
Operating Temperature		-20 ~ +50°C			

1/3

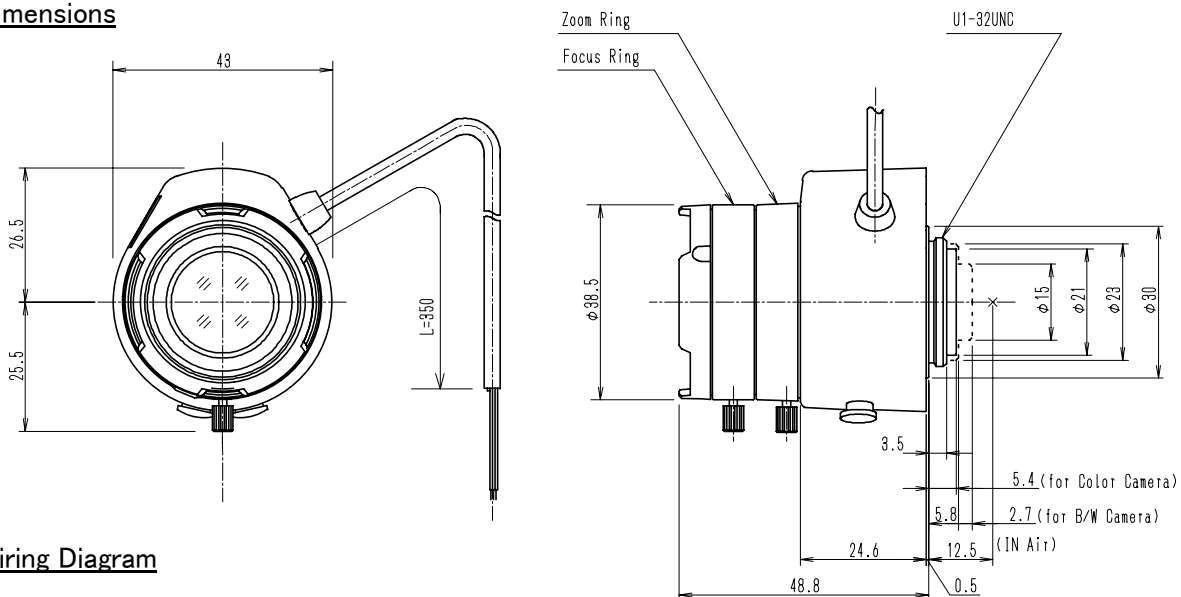
CS

AG

Z

M.O.D. : Minimum Object Distance

Dimensions



SP

Wiring Diagram

