

[SPECIFICATIONS] 3.1MegaPixel Lens for 1" Sensor

Image Size: $\textcircled{1}$ $\textcircled{2/3}$ $\textcircled{1/1.8}$ $\textcircled{1/2}$

Focal Length : 35mm
 Maximum Relative Aperture : 1:1.4
 Iris : 1.4 - 16
 Angular Field of View : 20.9X15.8deg.
 Image Format : 12.8X9.6mm(D16mm)
 Minimum Object Distance : 0.3 m(From Front Vertex)
 Optical Back Focal Distance : 16.8mm(In Air)

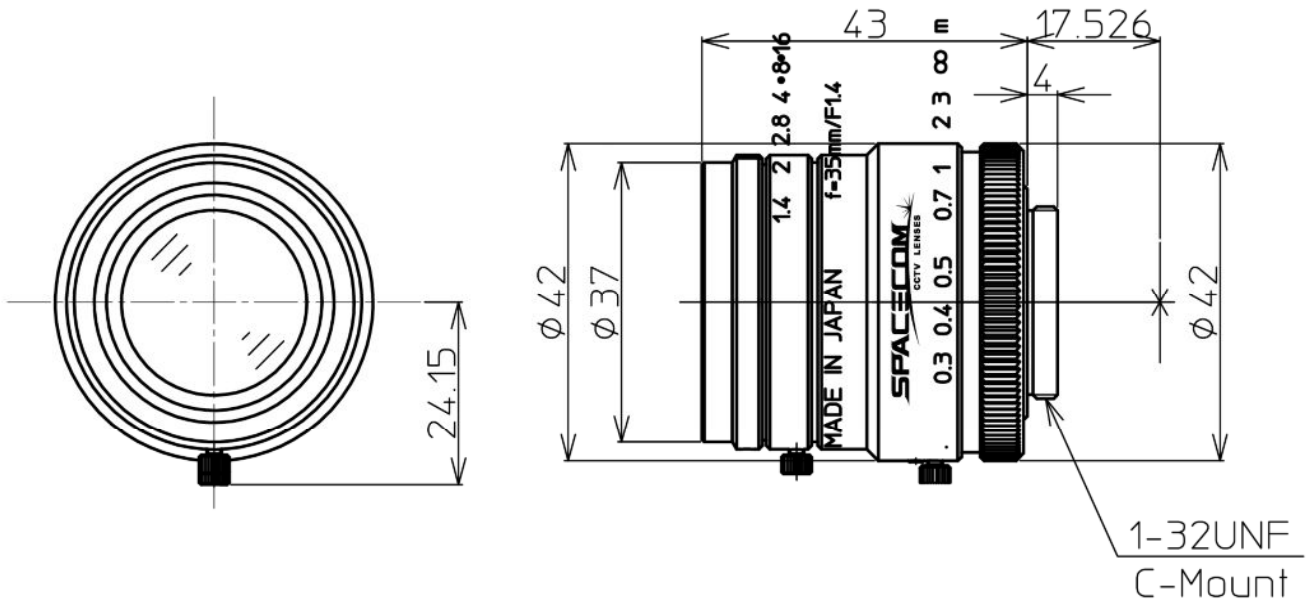
Flange Back : 17.526mm
 Operation : Focus : Manual
 Iris : Manual
 Operation Temperature : -10 to +50deg.
 Mount : C-Mount
 Front Thread : 35.5mm P0.5
 Size, Weight : D42X43mm, Approx. 130g

Resolution : 100lines/mm , 5 μ m (at center) 80lines/mm , 6.25 μ m (at corner) Distortion(TV) : -0.5%

[COMPOSITION]

- Lens1
- Lens Cap1
- Dust Cap1

[DIMENSIONS]



Unit:mm