

SIRIUS

[SPECIFICATIONS] F0.95Aspherical Day&Night IR Lens

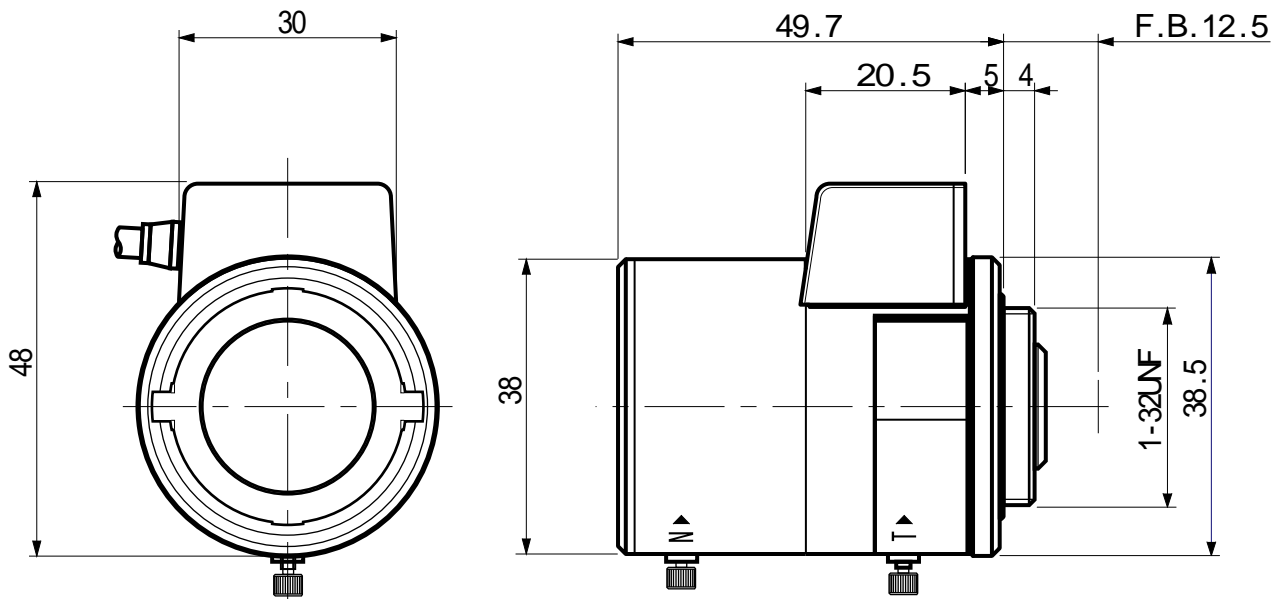
Image Size: (1/3) (1/4)

Focal Length :	3 - 8mm	Optical Back Focal Distance :	7.44 - 13.69mm (In Air)
Maximum Relative Aperture :	1:0.95	Flange Back :	12.5mm
Iris :	F0.95 - Approx.360 (With ND Spot Filter)	Operation Voltage :	Close to Open : Less than 4.0V Open to Close : More than 0.5V
Angular Field of View :	94.3X68.9 deg. at 3mm 35.9X26.9 deg. at 8mm	Operation :	Focus : Manual Zoom : Manual Iris : IG(Auto Close System)
Image Format :	4.8X3.6mm (D6mm)	Operation Temperature :	-10 to +50°C
Minimum Object Distance :	0.3m (From Front Vertex)	Mount :	CS-Mount (Adjustable Lens Position)
		Size, Weight :	D38X48X49.7mm , Approx.64g

[COMPOSITION]

- Lens1
- Lens Cap1
- Dust Cap1

[DIMENSIONS]



Unit:mm

[CIRCUIT DIAGRAM]

