

PHOENIX

[SPECIFICATIONS] F1.2 Day&Night Lens

Image Size: (1/3) (1/4)

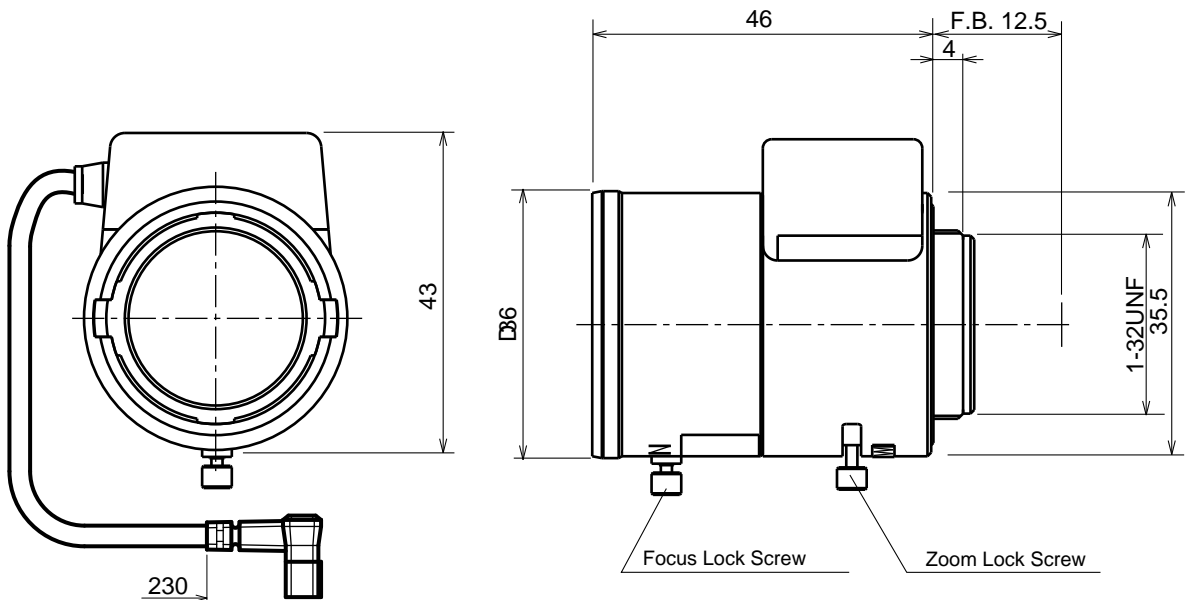
Focal Length : 3 - 8mm  
 Maximum Relative Aperture : 1:1.2  
 Iris : F1.2 - Approx.360  
 (With ND Spot Filter)  
 Angular Field of View : 92.5X68.5 deg.at 3mm  
 35.6X26.7 deg.at 8mm  
 Image Format : 4.8X3.6mm(D6mm)  
 Minimum Object Distance : 0.3m(From Front Vertex)  
 Object Dimensions at M.O.D. : 63.1X40.4cm at 3mm  
 19.3X 14.3cm at 8mm

Optical Back Focal Distance : 7.25 - 12.81mm(In Airs)  
 Flange Back: 12.5mm  
 Operation Voltage: Close to Open : Less than 4V  
 Open to Close : More than 0.5V  
 Operation : Focus : Manual  
 Zoom : Manual  
 Iris : IG(Auto Close System)  
 Operation Temperature : -10 to +50  
 Mount : CS-Mount(Adjustable Lens Position)  
 Size, Weight : D36X43X46mm, Approx. 63g

[COMPOSITION]

- Lens .....1
- Lens Cap .....1
- Dust Cap .....1

[DIMENSIONS]



Unit:mm

[CIRCUIT DIAGRAM]

