

[SPECIFICATIONS] 1/1.8" 1.5MegaPixel VariFocal Lens

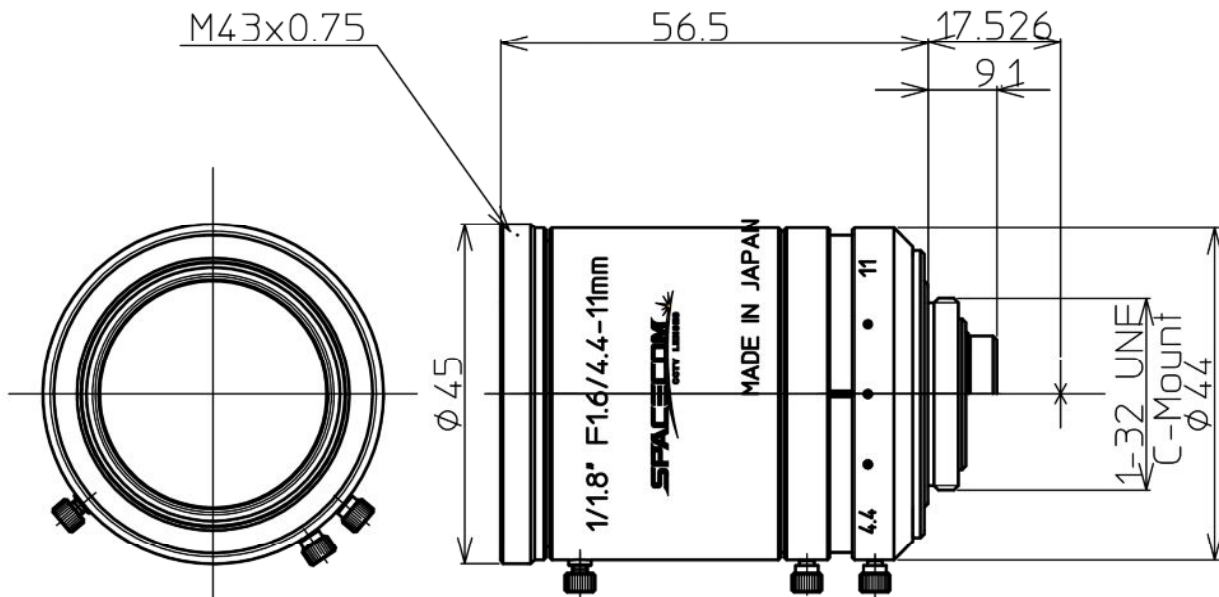
Image Size: ~~1/1.8~~ ~~1/2~~ ~~1/3~~

Focal Length :	4.4-11mm	Flange Back :	17.526mm
Maximum Relative Aperture :	1:1.6	Operation :	Focus : Manual ZOOM : Manual Iris : Manual
Iris :	F1.6 - 16	Operation Temperature :	-10 to +50deg.
Angular Field of View :	76.6x61.2 deg. at 4.4mm 36.7x28.0 deg. at 11mm	Mount :	C-Mount
Image Format :	7.2x5.4mm(D9mm)	Size, Weight :	D45mmx56.5mm Approx. 125g
Minimum Object Distance :	0.3m(From Front Vertex)		

[Resolution] 5 μm (Center) 6.3 μm (Corner)

[Distortion] -0.2% (at f=4.4mm) +0.35% (at f=11mm)

[DIMENSIONS]



Unit:mm