

# HV410DC

**【 SPECIFICATIONS】**

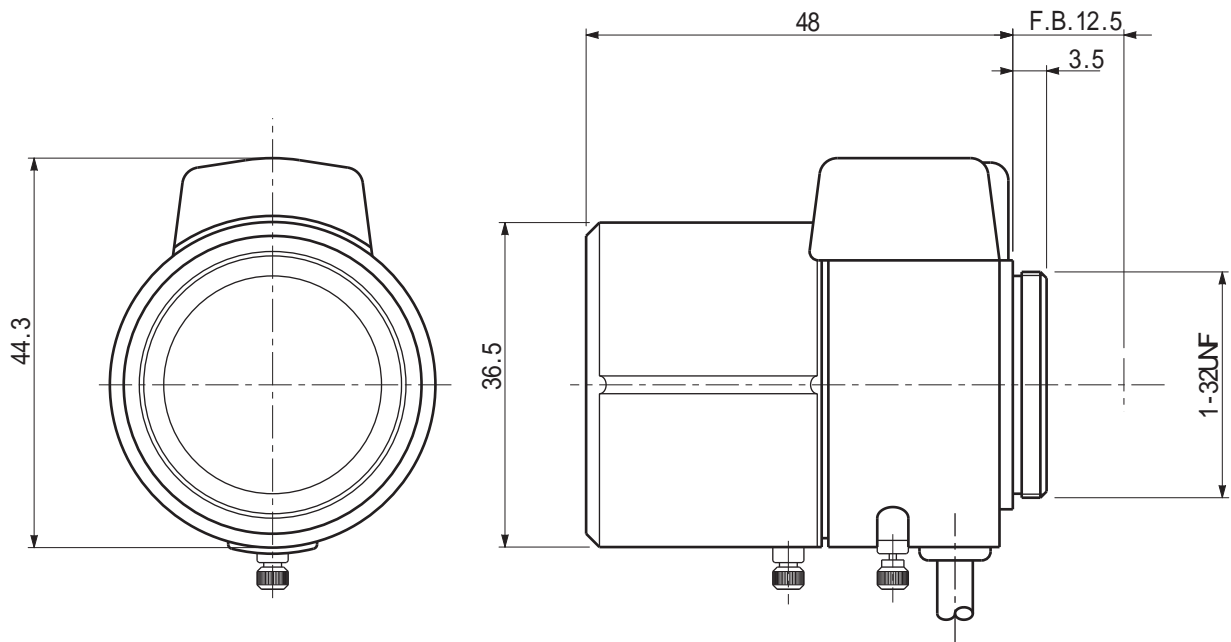
Image Size:  $\frac{1}{2}$   $\frac{1}{3}$   $\frac{1}{4}$

Focal Length:	4~ 10mm	Optical Back Focal Distance :	8.27mm( In Air)
Maximum Relative Aperture:	1:1.8	Flange Back:	12.5mm
Iris:	F 1.8~ 360 Auto Close System	Operation:	Focus: Manual Zoom : Manual Iris : Auto (DC-IRIS)
Anglur Field of View:	94.8° × 69.0° at 4mm 37.3° × 28.0° at 10mm	Operation Temperature:	-10~ +50
Image Format:	6.4x 4.8mm ( 8mm)	Mbunt:	CS-Mbunt( Adjustable Lens Position)
Minimum Object Distance:	0.3m( From Front Vertex)	Size,Weight:	36.5x 44.3x 48mm, 94g

**【 COMPOSITION】**

- Lens . . . . . 1
- Lens Cap . . . . . 1
- Dust Cap . . . . . 1

**【 DIMENSIONS】**



\*Cable Length:230mm(w/4pin connector)

Unit:mm