

[SPECIFICATIONS] 3CCD C-mount Mega-Pixel Lens

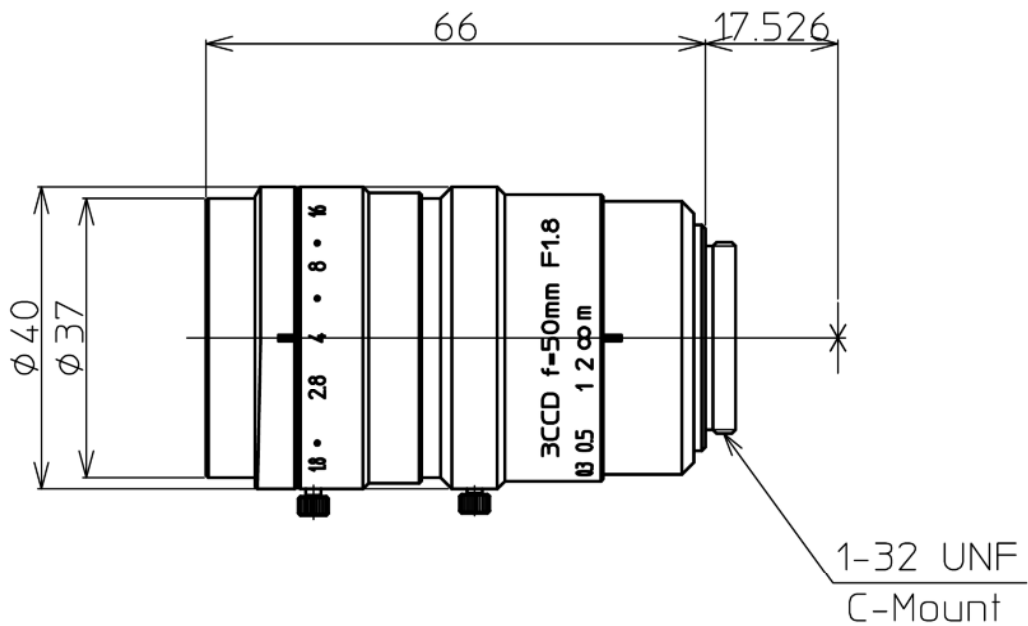
Image Size: $\frac{1}{2}$ $\frac{1}{3}$

Focal Length :	50mm	Flange Back :	17.526mm
Maximum Relative Aperture :	1:1.8	Operation :	Focus : Manual ZOOM : Non Iris : Manual
Iris :	F1.8 - 16	Operation Temperature :	-10 to +50
Angular Field of View :	7.0 X5.3 deg.	Mount :	C-Mount
Image Format :	6.4X4.8mm(D8mm)	Size, Weight :	D40mmx66mm Approx. 155g
Minimum Object Distance :	0.3m(From Front Vertex)		

[COMPOSITION]

Lens 1
Lens Cap 1
Dust Cap 1

[DIMENSIONS]



Unit:mm