

JF50M

Image Size: $\frac{2}{3}$ $\frac{1}{2}$ $\frac{1}{3}$ $\frac{1}{4}$

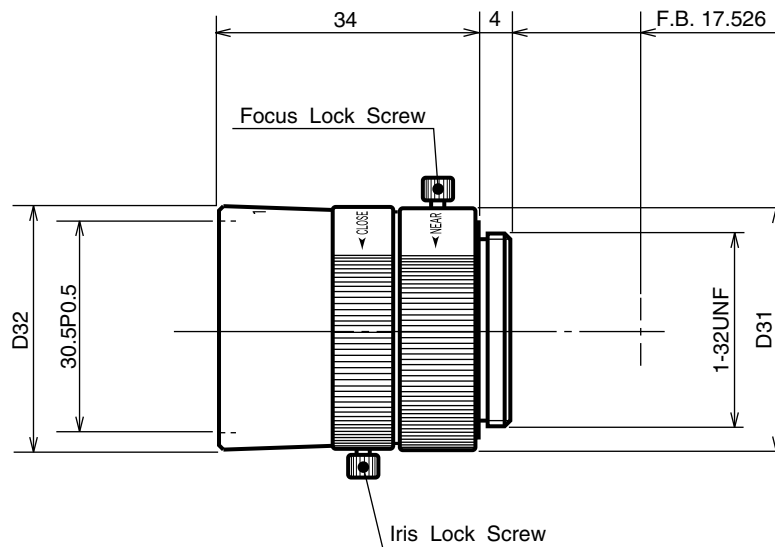
[SPECIFICATIONS]

Focal Length :	50mm	Flange Back :	17.526mm
Maximum Relative Aperture :	1:1.8	Operation :	Focus : Manual Iris : Manual
Iris :	F1.8 - Close	Operation Temperature :	-10 to +50
Angular Field of View :	11.0 X 8.3 deg.	Mount :	C-Mount
Image Format :	8.8X6.6mm(D11mm)	Front Thread :	30.5mm P0.5
Minimum Object Distance :	0.7m(From Front Vertex)	Size, Weight :	D32X34mm, Approx. 50g
Object Dimensions at M.O.D :	16.2X12.8cm		
Optical Back Focal Distance :	15.5mm(In Air)		

[COMPOSITION]

Lens1
Lens Cap1
Dust Cap1

[DIMENSIONS]



Unit:mm