

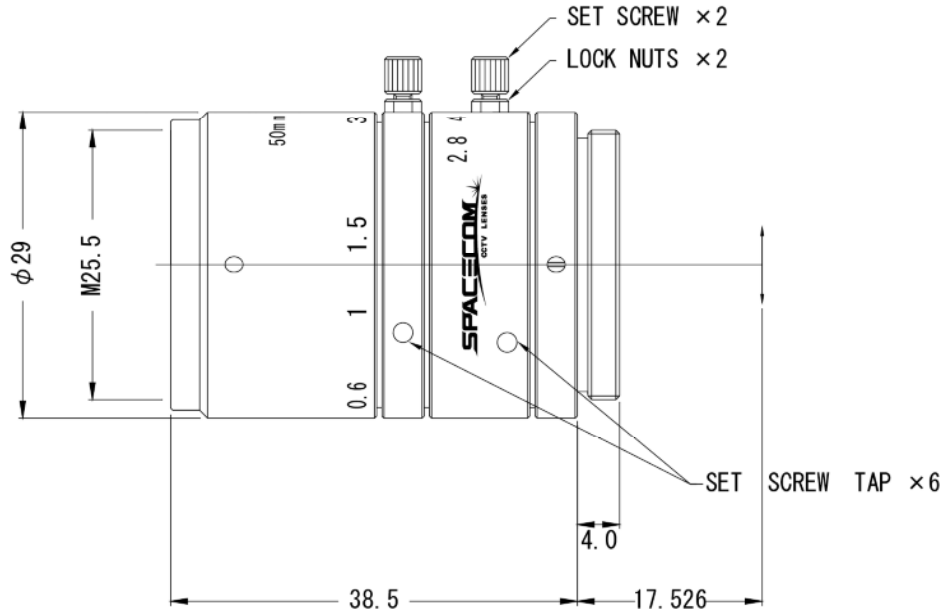
[SPECIFICATIONS] 3MegaPixel High Resolution Lens

Image Size:  $\frac{2}{3}$   $\frac{1}{1.8}$   $\frac{1}{2}$   $\frac{1}{3}$

Focal Length :	50mm	Flange Back :	17.526mm
Maximum Relative Aperture :	1:2.8	Operation :	Focus : Manual Iris : Manual
Iris :	F2.8 - 22	Operation Temperature :	-10 to +50 deg.
Angular Field of View :	9.98 X 7.49 deg.	Mount :	C-Mount
Image Format :	8.8X6.6mm(D11mm)	Front Thread :	25.5mm P0.5
Minimum Object Distance :	0.5m(From Front Vertex)	Size, Weight :	D29X38.5mm, Approx. 55g
Object Dimensions at M.O.D :	6.8X5.1cm		
Optical Back Focal Distance :	21.2mm(In Air)		

[Resolution] 3.6  $\mu$ m (Center) 5  $\mu$ m (Corner)  
 [Distortion] -0.2%

[DIMENSIONS]



Unit:mm