

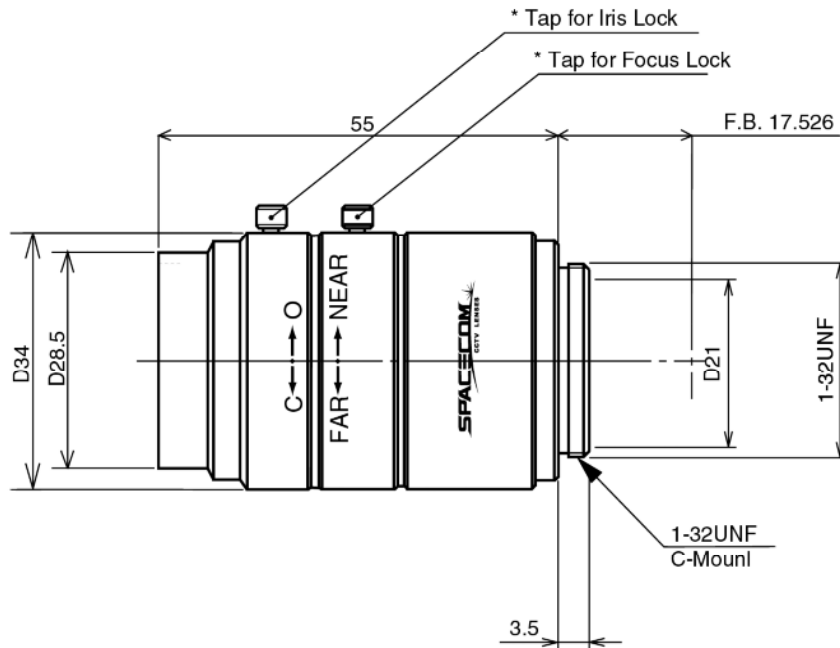
[SPECIFICATIONS] 2MegaPixel High Resolution Lens

Image Size: $\frac{2}{3}$ $\frac{1}{1.8}$ $\frac{1}{2}$ $\frac{1}{3}$

Focal Length :	50mm	Flange Back :	17.526mm
Maximum Relative Aperture :	1:2.8	Operation :	Focus : Manual Iris : Manual
Iris :	2.8 - 22	Operation Temperature :	-10 to +50
Angular Field of View :	9.6X7.2deg.	Mount :	C-Mount
Image Format :	6.6X8.8mm(D8mm)	Front Thread :	27.0mm P0.5
Minimum Object Distance :	0.2 m(From Front Vertex)	Size, Weight :	D34X55mm, Approx. 92g
Optical Back Focal Distance :	35.5mm(In Air)		

[Resolution] $5 \mu\text{m}$ (Center) $6.3 \mu\text{m}$ (Corner)
 [Distortion] -0.03%

[DIMENSIONS]



Unit:mm