

VF50DC-2

Image Size: (1) (2/3) (1/2)

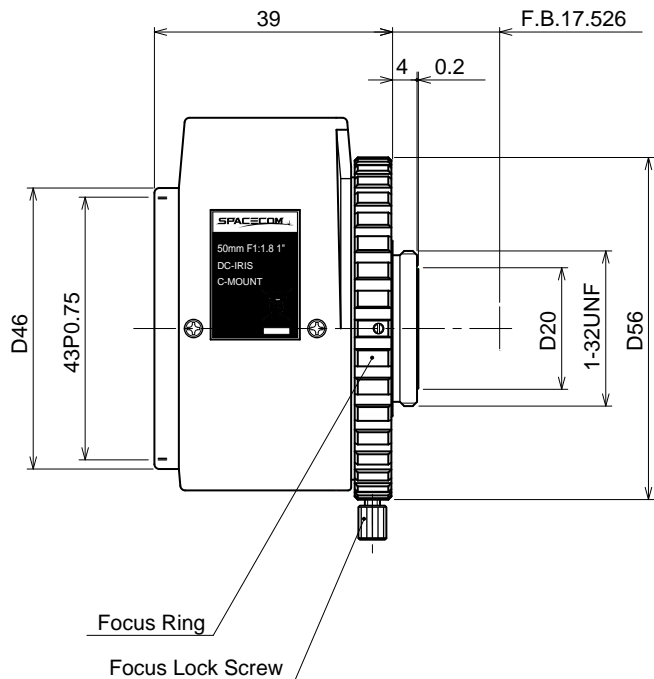
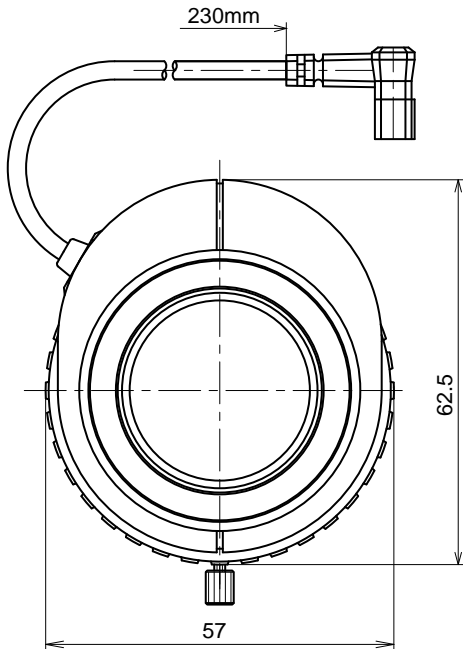
[SPECIFICATIONS]

Focal Length :	50mm	Flange Back :	17.526mm
Maximum Relative Aperture :	1:1.8	Operation Voltage :	Close to Open : Less than 3V Open to Close : More than 0.5V
Iris :	F1.8 - Approx. 360 (With Attenuator)	Operation :	Focus : Manual Iris : IG (Auto Close System)
Angular Field of View :	14.6X10.9 deg	Operation Temperature :	-10 to +50°C
Image Format :	12.8X9.6mm (D16mm)	Mount :	C-Mount (Adjustable Lens Position)
Minimum Object Distance :	0.7m (From Front Vertex)	Front Thread :	43mm P0.75
Object Dimensions at M.O.D. :	20.5X16.1cm	Size :	62.5X57X39mm
Optical Back Focal Distance :	19.71mm (In Air)		

[COMPOSITION]

Lens1
Lens Cap1
Dust Cap1

[DIMENSIONS]



Unit:mm

[CIRCUIT DIAGRAM]

