

VF50M

[SPECIFICATIONS]

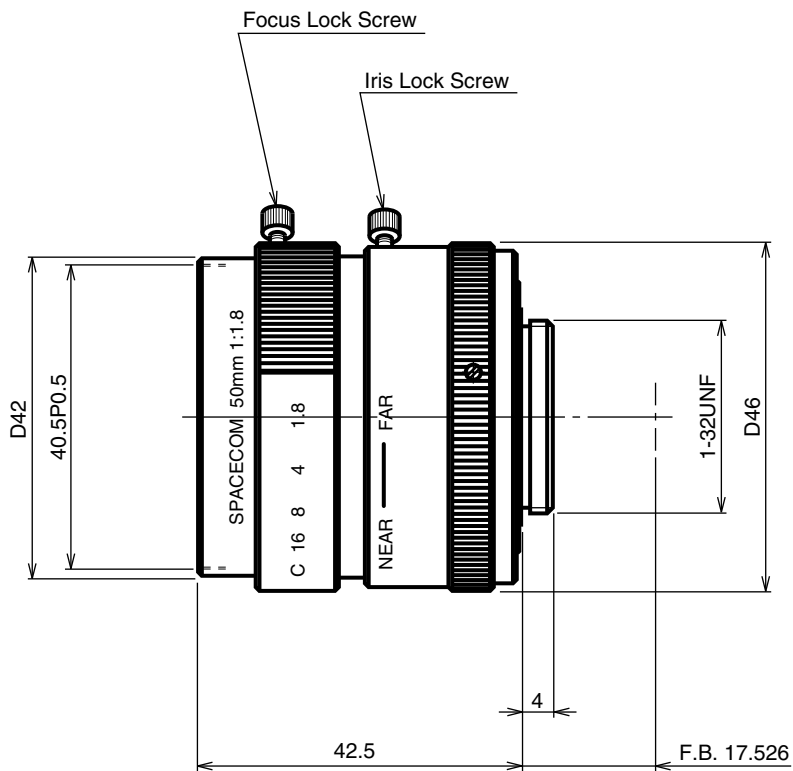
Image Size: (1) (2/3) (1/2) (1/3) (1/4)

Focal Length :	50mm	Flange Back :	17.526mm
Maximum Relative Aperture :	1:1.8	Operation :	Focus : Manual Iris : Manual
Iris :	F1.8 - Close	Operation Temperature :	-10 to +50
Angular Field of View :	14.5 X10.9 deg.	Mount :	C-Mount
Image Format :	12.8X9.6mm(D16mm)	Front Thread :	40.5mm P0.5
Minimum Object Distance :	0.7m(From Front Vertex)	Size, Weight :	D46X42.5mm, Approx. 145g
Object Dimensions at M.O.D :	12.8X9.6cm		
Optical Back Focal Distance :	19.71mm(In Air)		

[COMPOSITION]

- Lens1
- Lens Cap1
- Dust Cap1

[DIMENSIONS]



Unit:mm