

# TG10Z0513AFCS

VARI FOCAL 10X 5~50mm F1.3

for 1/3" format cameras

CS-Mount

with Focus, with Amplifier

Model No.	TG10Z0513AFCS		Effective	Front	φ 29.5mm
Focal Length	5 ~ 50mm		Lens Aperture	Rear	φ 8.7mm
Max. Aperture Ratio	1 : 1.3		Back Focal Length	Tele	10.6mm
Max. Image Format	4.8 x 3.6mm (φ 6mm)			Wide	10.5mm
Operation Range	Iris	F1.3 ~ 360	Flange Back Length	12.5mm	
	Focus	0.8m ~ Inf.	Mount	CS-Mount	
	Zoom	5 ~ 50mm	Filter Size	M37.5 P=0.5mm	
Control	Iris	Auto Iris	Dimensions	φ 41.7 x 57.5 x 57.7mm	
	Focus	Manual	Weight	g	
	Zoom	Manual			
Object Dimension at M.O.D.	5 mm	77.7 × 57cm			
	50 mm	7.8 × 6.0cm			
Angle of View	D	64~6.9°	1/4"	48.8~5.3°	
	H	51.8~5.6°		39.2~4.3°	
	V	39.2~4.3°		29.5~3.2°	
Supply Voltage	DC8.5 ~ 16V				
Current	Less than 40mA				
Response Time	Approx. 2 sec.				
Light Weighting Method	Adjustable between Average - Peak ( to be set at Average at factory )				
Input Signal	Video Signal (V or VS)				
Iris Accuracy	± 15% at Video Signal Level				
Sensitivity Adjustment	0.5 ~ 1.0Vp-p (Video Signal)				
Input Impedance	High Impedance				
Operating Temperature	-20 ~ +50° C				

1/3

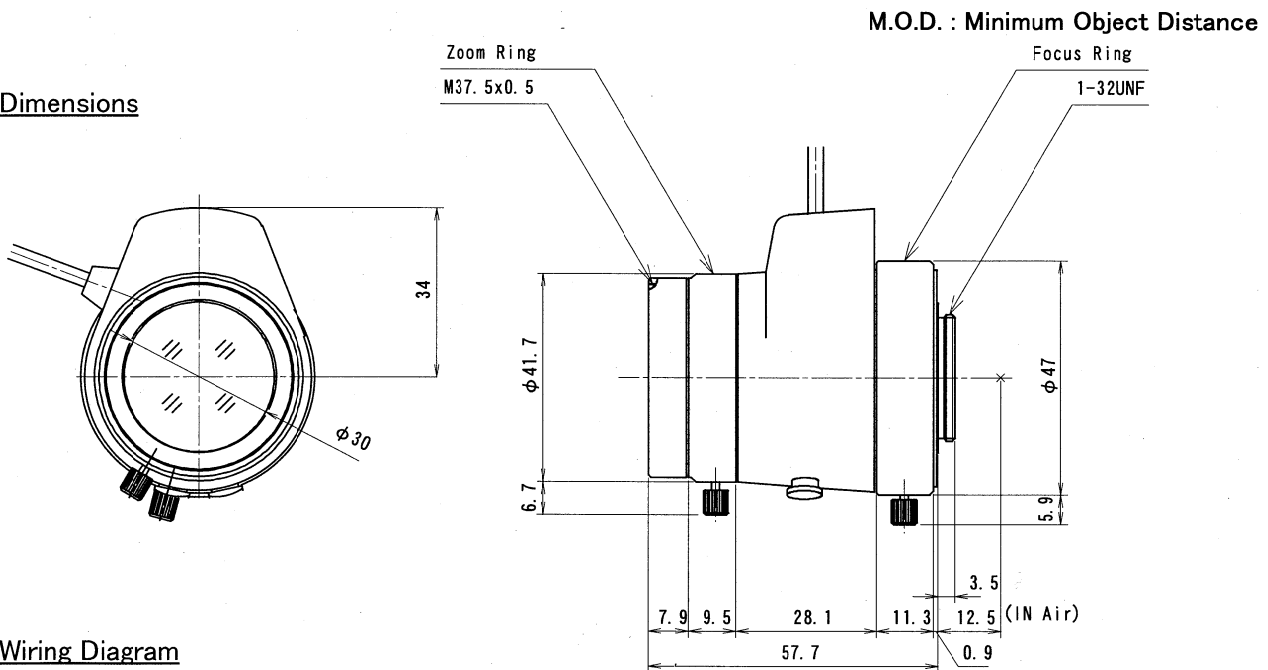
CS

AG

Z

SP

Dimensions



Wiring Diagram

