

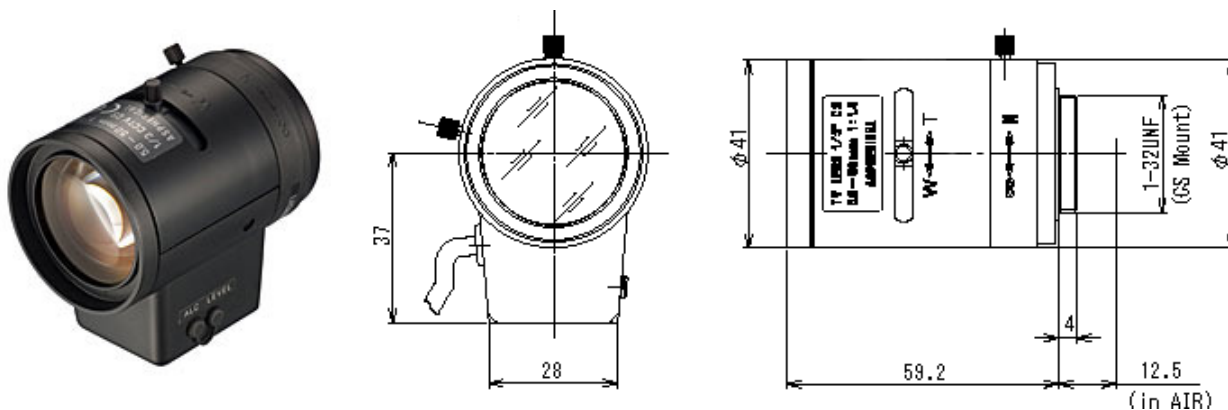


CCTV Lenses/Model : 13VA550T

Close

CCTV Lenses

13VA550T



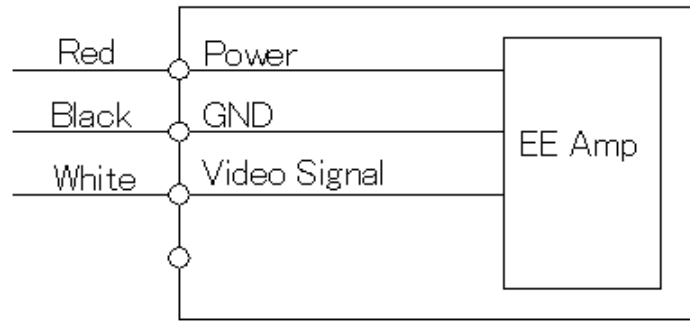
SPECIFICATIONS

		13VA550T
Imager Size		1/3
Mount Type		CS
Focal Length		5 - 50mm
Aperture Range		1.4 - 185
Angle of View (Horizontal x Vertical)	1/3	Wide 53.6° x 40.3° Tele 5.6° x 4.2°
	1/4	Wide 40.3° x 30.1° Tele 4.2° x 3.1°
	Focusing Range	0.3m - ∞
	Operation	Focus
Zoom		Manual
Iris		Video Auto Iris
Filter Size		-
Back Focus(in air)		Wide 10.05 - Tele 11.81mm
Input Voltage(Maximun Electric Power Consumption)		DC8.5 - 16V (50mA)
Input		VS or V Signal
Type of Optical Measurement		Average - Peak
Weight		101g

Operating Temperature

-10°C - +60°C

Wiring Diagram



Download

You can download the specifications.

[▶ Download Specifications](#)

[Terms of Use](#)

[Back to Top](#)

© Copyright 2002-2009 TAMRON Co.,Ltd.