

HZ65104R

Image Size: $\frac{1}{2}$ $\frac{1}{3}$ $\frac{1}{4}$

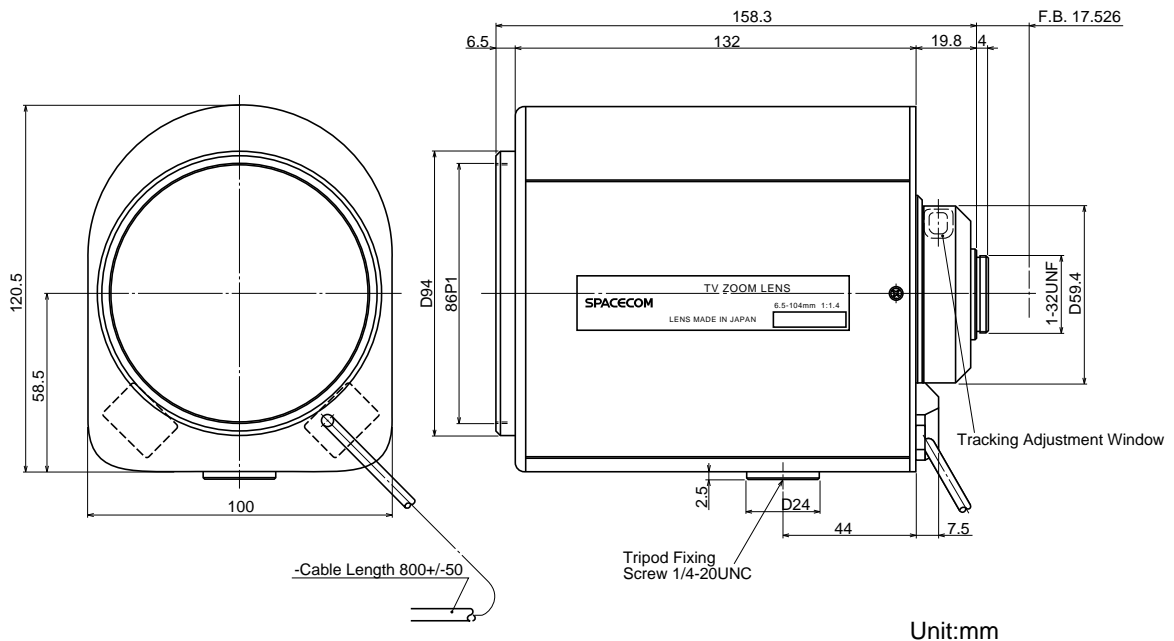
[SPECIFICATIONS]

Focal Length :	6.5 - 104mm	Flange Back :	17.526mm
Maximum Relative Aperture :	1:1.4 at 6.5 - 80mm 1:1.6 at 104mm	Operation : Zoom :	Motorized(DC+/-6.4V, Max80mA) Speed Approx. 9sec.
Iris :	F1.4 - Close	Focus :	Motorized(DC+/-6.4V, Max80mA) Speed Approx. 17sec.
Zoom Ratio :	16X	Iris :	Motorized(DC+/-6.4V, Max50mA) Speed Approx. 2.5sec.
Angular Field of View :	52.4 X40.5 deg. at 6.5mm 3.5 X 2.6 deg. at 104mm	Operation Temperature :	-10 to +50
Image Format :	6.4X4.8mm(D8mm)	Mount :	C-Mount(Adjustable Lens Position)
Minimum Object Distance :	1.5m(From Front Vertex)	Front Thread :	86mm P1
Object Dimensions at M.O.D. :	147.6X110.7cm at 6.5mm 9.2X 6.8cm at 104mm	Size, Weight :	120.5X100X158.3mm, Approx. 1.5kg
Optical Back Focal Distance :	16.14mm(In Air)		

[COMPOSITION]

- Lens1
- Lens Cap1
- Dust Cap1

[DIMENSIONS]



[CIRCUIT DIAGRAM]

