

TZ6539AI

[SPECIFICATIONS] 6x Vari-Zoom Lens

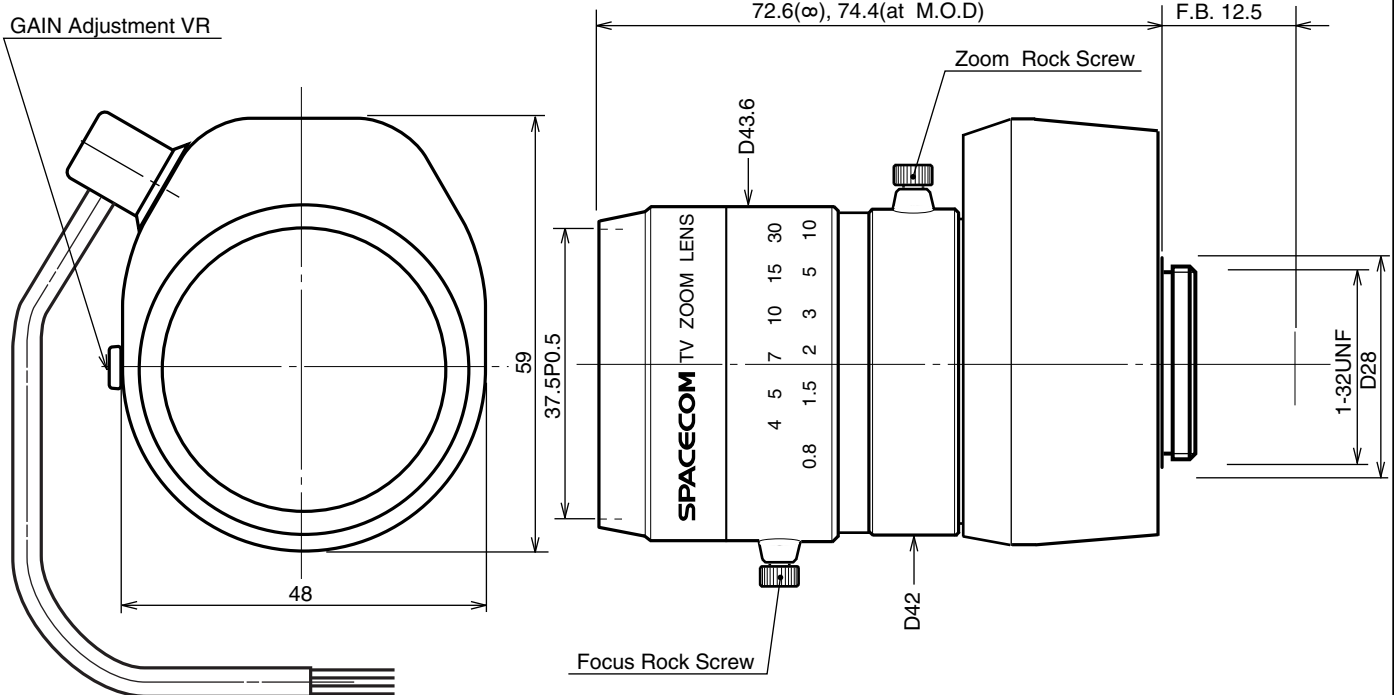
Image Size: $\frac{1}{3}$ $\frac{1}{4}$

Focal Length :	6.5 - 39mm	Input Impedance :	High Impedance
Maximum Relative Aperture :	1:1.4	Operation :	Focus : Manual
Iris :	F1.4 - Approx. 360 (With ND Spot Filter)	Iris :	EE (DC+8 to 16V : Fixed Voltage, Max40mA) Speed Within 4sec.(Auto Close System)
Sensitivity Adjustment :	0.5 - 1Vp-p(Image Signal)	EE Mechanism :	The built-in EE Amp amplifies the difference between the video signal from the camera and the preset Iris signal level. It causes the Iris to change size.
Angular Field of View :	40.5 X31.0 deg. at 6.5mm 7.0 X 5.3 deg. at 39mm	EE Accuracy :	With Input Video Signal 0.7Vp-p Within+/-10% of Mean Value
Image Format :	4.8X 3.6mm(D6mm)	Operation Temperature :	-10 to +50
Minimum Object Distance :	0.8m(From Front Vertex)	Mount :	CS-Mount(Adjustable Lens Position)
Object Dimensions at M.O.D. :	62.1X47.4cm at 6.5mm 12.2X 9.6cm at 39mm	Front Thread :	37.5mm P0.5
Optical Back Focal Distance :	11.85mm(In Air)	Size, Weight :	D43.6X72.6X59mm. 140g
Flange Back :	12.5mm		
Input Signal :	Composite Video Signal or Video Signal		
Photometry Range :	Approx. 40% - 70% Variable to Vp-p		

[COMPOSITION]

- Lens1
- Lens Cap1
- Dust Cap1

[DIMENSIONS]



[CIRCUIT DIAGRAM]

