

TZ6539M

[SPECIFICATIONS] 6x Var i -Zoom Lens

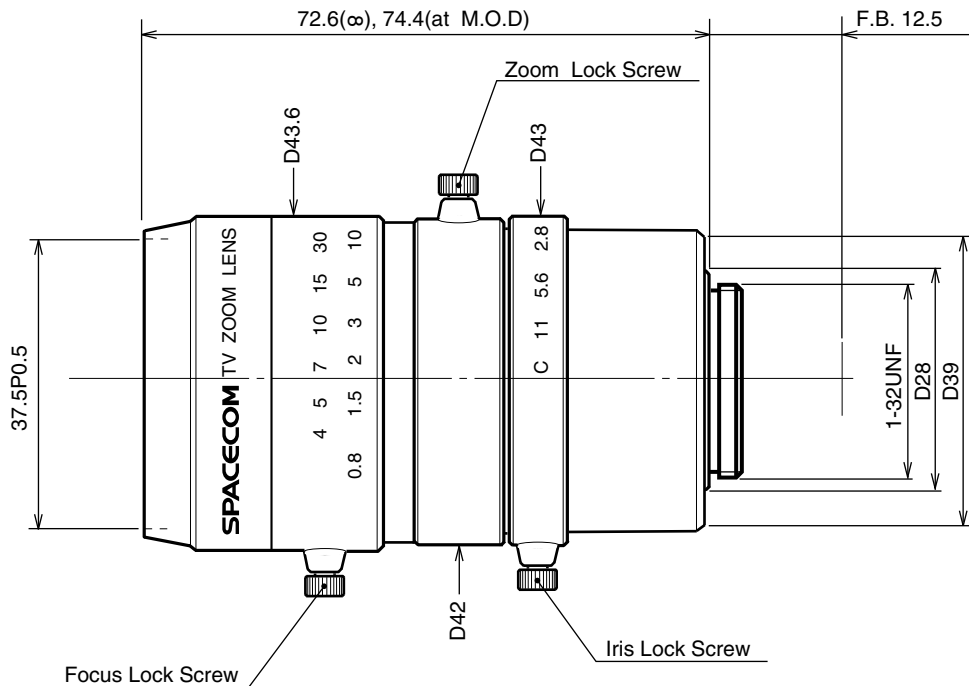
Image Size: $\frac{1}{3}$ $\frac{1}{4}$

Focal Length :	6.5 - 39mm	Optical Back Focal Distance :	11.85mm(In Air)
Maximum Relative Aperture :	1:1.4	Flange Back :	12.5mm
Iris :	F1.4 - Close	Operation :	Zoom : Manual Focus : Manual Iris : Manual
Angular Field of View :	40.5 X31.0 deg. at 6.5mm 7.0 X 5.3 deg. at 39mm	Operation Temperature :	-10 to +50
Image Format :	4.8X3.6mm(D6mm)	Mount :	CS-Mount(Adjustable Lens Position)
Minimum Object Distance :	0.8m(From Front Vertex)	Front Thread :	37.5mm P0.5
Object Dimensions at M.O.D :	62.1X47.4cm at 6.5mm 12.2X 9.6cm at 39mm	Size,Weight :	D43.6X72.6X59mm. 120g

[COMPOSITION]

- Lens1
- Lens Cap1
- Dust Cap1

[DIMENSIONS]



Unit:mm