

TEZ6565R

Image Size: $\frac{1}{3}$ $\frac{1}{4}$

[SPECIFICATIONS]

Focal Length : 6.5 - 65mm
 Maximum Relative Aperture : 1:1.4
 Iris : F1.4 - Close
 Zoom Ratio : 10X
 Angular Field of View : 40.5 X31.0 deg. at 6.5mm
 4.2 X 3.2 deg. at 65mm
 Image Format : 4.8X3.6mm(D6mm)
 Minimum Object Distance : 1.2m(From Front Vertex)
 Object Dimensions at M.O.D. : 84.2X63.3cm at 6.5mm
 8.4X 6.4cm at 65mm
 Optical Back Focal Distance : 9.85mm(In Air)

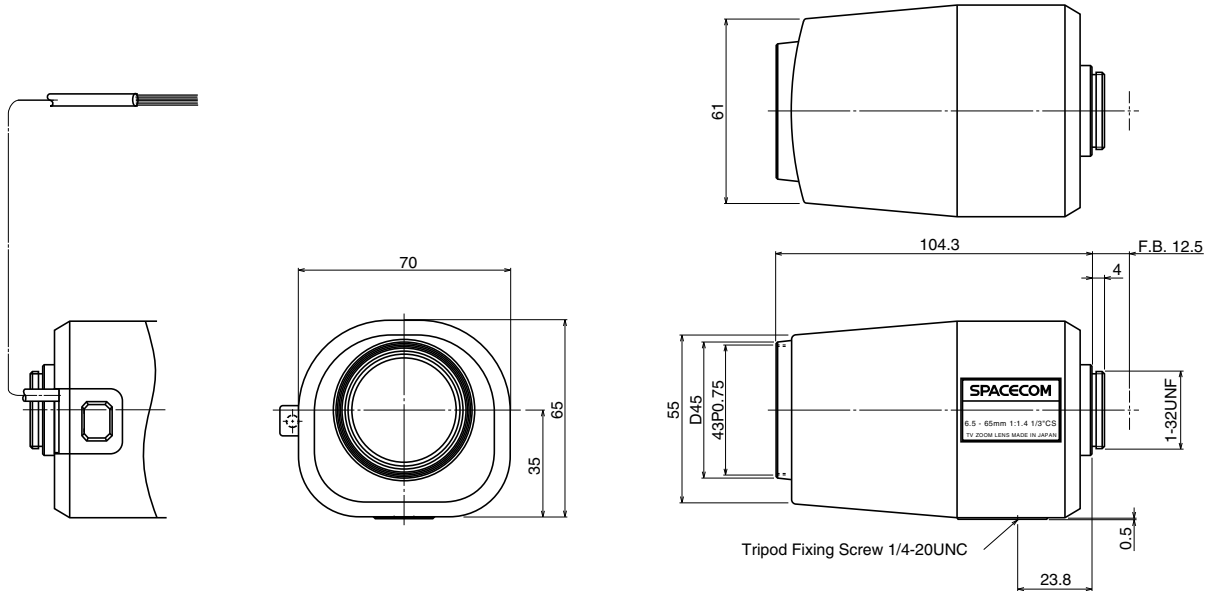
Flange Back : 12.5mm
 Operation : Zoom : Motorized(DC+/-6.4V, Max40mA)
 Speed Approx. 6.5sec.
 Focus : Motorized(DC+/-6.4V, Max40mA)
 Speed Approx. 6.5sec.
 Iris : Motorized(DC+/-6.4V, Max40mA)
 Speed Approx. 3sec.
 Operation Temperature : -10 to +50
 Mount : CS-Mount(Adjustable Lens Position)
 Front Thread : 43mm P0.75
 Size, Weight : 70X65X104.3mm, Approx. 285g

[COMPOSITION]

Lens1
 Lens Cap1
 Dust Cap1

4-Conductor Connector(Female)1
 (Any 4-conductor cable of external dia 6mm to be prepared separately.)

[DIMENSIONS]



Unit:mm

[CIRCUIT DIAGRAM]

