

HV612M

Image Size: $\frac{1}{2}$ $\frac{1}{3}$ $\frac{1}{4}$

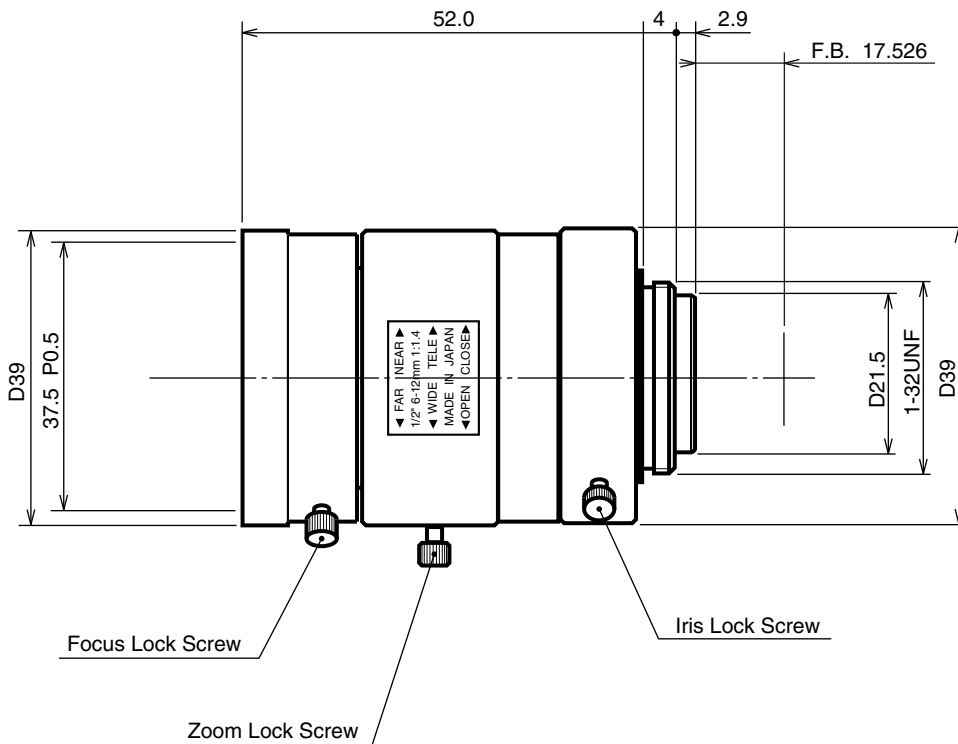
[SPECIFICATIONS]

Focal Length :	6 - 12mm	Optical Back Focal Distance :	11.0mm(In Air)
Maximum Relative Aperture :	1:1.4	Flange Back :	17.526mm
Iris :	F1.4 - Close	Operation :	Zoom : Manual Focus : Manual Iris : Manual
Angular Field of View :	56.1 X43.6 deg. at 6mm 29.9 X22.6 deg. at 12mm	Operation Temperature :	-10 to +50
Image Format :	6.4X4.8mm(D8mm)	Mount :	C-Mount
Minimum Object Distance :	0.25m(From Front Vertex)	Front Thread :	34mm P0.5
Object Dimensions at M.O.D. :	35.1X25.7cm at 6mm 17.0X12.8cm at 12mm	Size, Weight :	D40.3X51.5mm, Approx. 55g

[COMPOSITION]

- Lens1
- Lens Cap1
- Dust Cap1

[DIMENSIONS]



Unit:mm