

TZ660R

[SPECIFICATIONS] F1.0 Motorized Zoom Lens

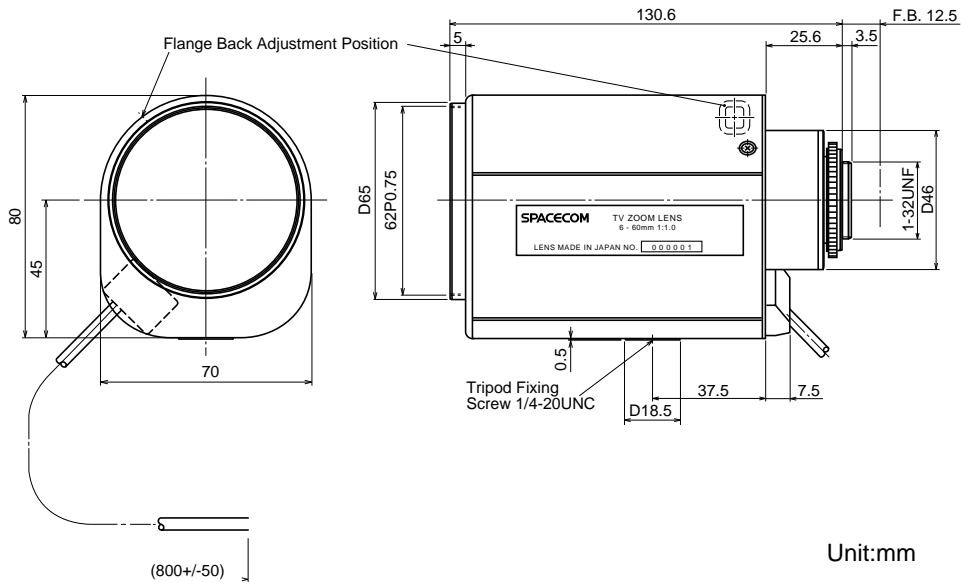
Image Size: $\frac{1}{3}$ $\frac{1}{4}$

Focal Length :	6 - 60mm	Flange Back :	12.5mm
Maximum Relative Aperture :	1:1.0	Operation : Zoom :	Motorized(DC+/-6.4V, Max40mA) Speed Approx. 6sec.
Iris :	F1.0 - Close	Focus :	Motorized(DC+/-6.4V, Max40mA) Speed Approx. 7sec.
Zoom Ratio :	10X	Iris :	Motorized(DC+/-6.4V, Max40mA) Speed Approx. 3.5sec.
Angular Field of View :	43.6 X33.4 deg. at 6mm 4.6 X 3.4 deg. at 60mm	Operation Temperature :	-10 to +50
Image Format :	4.8X3.6mm(D6mm)	Mount :	CS-Mount(Adjustable Lens Position)
Minimum Object Distance :	1.2m(From Front Vertex)	Front Thread :	62mm P0.75
Object Dimensions at M.O.D. :	96.0X72.0cm at 6mm 9.6X 7.1cm at 60mm	Size, Weight :	80X70X130.6mm, Approx. 700g
Optical Back Focal Distance :	14.28mm(In Air)		

[COMPOSITION]

- Lens1
- Lens Cap1
- Dust Cap1

[DIMENSIONS]



[CIRCUIT DIAGRAM]

