

TZ690RDC

[SPECIFICATIONS] 15x Motorized ZOOM LENS

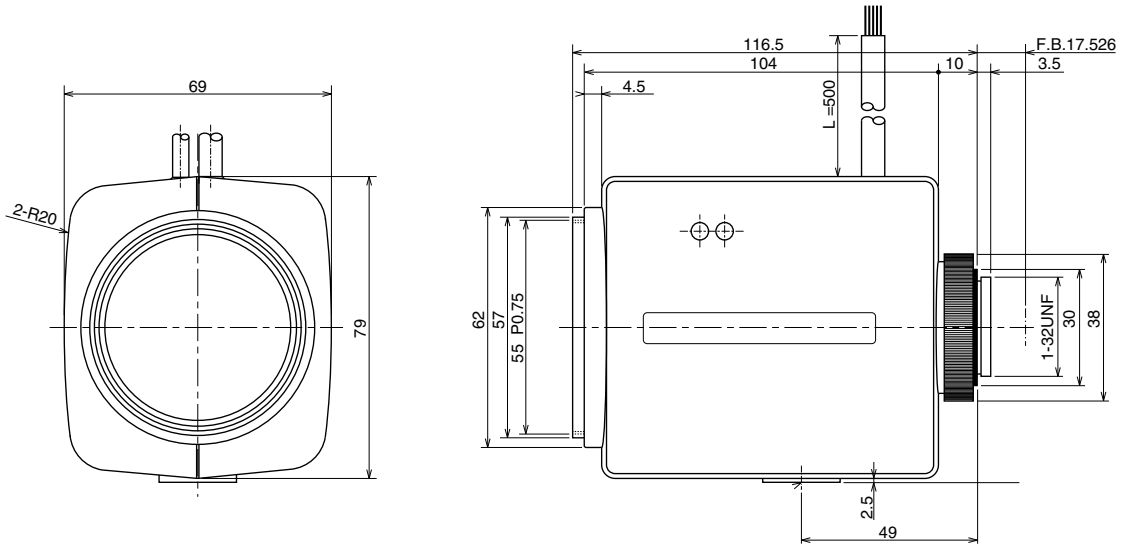
Image Size: $\frac{1}{3}$ $\frac{1}{4}$

Focal Length :	6 - 90mm	Optical Back Focal Distance :	9.55mm(In Air)
Maximum Relative Aperture :	1:1.6	Flange Back :	12.5mm
Iris :	F1.6 - 360	Operation :	Focus: Motorized
Zoom Ratio :	15X		Zoom: Motorized
Angular Field of View :	44.2X 33.5deg. at 6mm 3.1X 2.4deg. at 90mm		Iris: IG (Auto Close System)
Image Format :	4.8X 3.6mm (D6mm)	Operation Temperature :	-10 to +50℃
Minimum Object Distance :	1.2m(From Front Vertex)	Mount :	CS-Mount(Adjustable Lens Position)
Object Dimensions at M.O.D. :	91.5X 68.2cm at 6mm 6.2X 4.7cm at 90mm	Front Thread :	55mm P0.75
		Size :	79X 69X116.5mm, Approx. 530g

[COMPOSITION]

- Lens1
- Lens Cap1
- Dust Cap1

[DIMENSIONS]



Unit mm

[CIRCUIT DIAGRAM]

