

**【SPECIFICATIONS】 1.45MEGA-PIXEL LENS**

Image Size  $\frac{1}{2}$   $\frac{1}{3}$

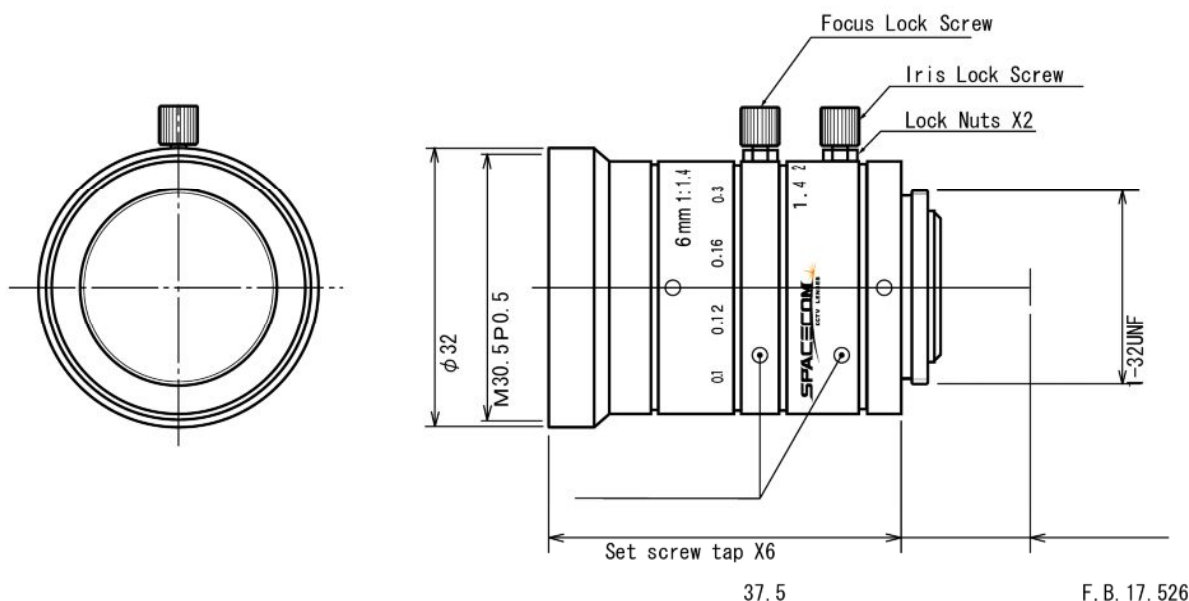
Focal Length : 6mm  
 Maximum Relative Aperture : 1:1.4  
 Iris : F1.4-16  
 Angular Field of View : 57.4×44.3°  
 Image Format : 6.4×4.8mm (φ8mm)  
 Minimum Object Distance : 0.2m (From Front Vertex)  
 Optical Back Focal Distance : 12.32mm (In Air)

Flange Back : 17.526mm  
 Operation : Focus : Manual  
 Iris : Manual  
 Operation Temperature : -10~+45°C  
 Mount : C-Mount  
 Front Thread : 30.5mm P0.5  
 Size, Weight : φ32×37.5mm Approx. 65 g

**【COMPOSITION】**

Lens . . . . . 1  
 Lens Cap . . . . . 1  
 Dust Cap . . . . . 1

**【DIMENSIONS】**



Unit:mm