

HZ7112BR

Motorized Zoom Lens for 3CCD Camera

Image Size: $\frac{1}{2}$ $\frac{1}{3}$ $\frac{1}{4}$

[SPECIFICATIONS]

Focal Length : 7 - 112mm
 Maximum Relative Aperture : 1:1.4
 Iris : F1.4 - Close
 Zoom Ratio : 16X
 Angular Field of View : 49.1 X37.8 deg. at 7mm
 3.3 X 2.5 deg. at 112mm
 Image Format : 6.4X4.8mm(D8mm)
 Minimum Object Distance : 1.0m(From Front Vertex)
 22mm at Macro
 Object Dimensions at M.O.D : 91.4X68.5cm at 7mm
 5.8X 4.4cm at 112mm

Optical Back Focal Distance : 39.87mm(In Air)
 Flange Back : 35.74mm
 Operation : Zoom : Motorized(DC+/-6.4V, Max80mA)
 Speed Approx 9sec.
 Focus : Motorised(DC+/-6.4V, Max80mA)
 Speed Approx 17sec.
 Iris : Motorised(DC+/-6.4V, Max50mA)
 Speed Approx 2.5sec.
 Operation Temperature : -10 to +50
 Mount : Bayonet-Mount
 Front Thread : 86mm P1
 Size , Weight : 120.5X100X175.7mm, Approx1.5 Kg

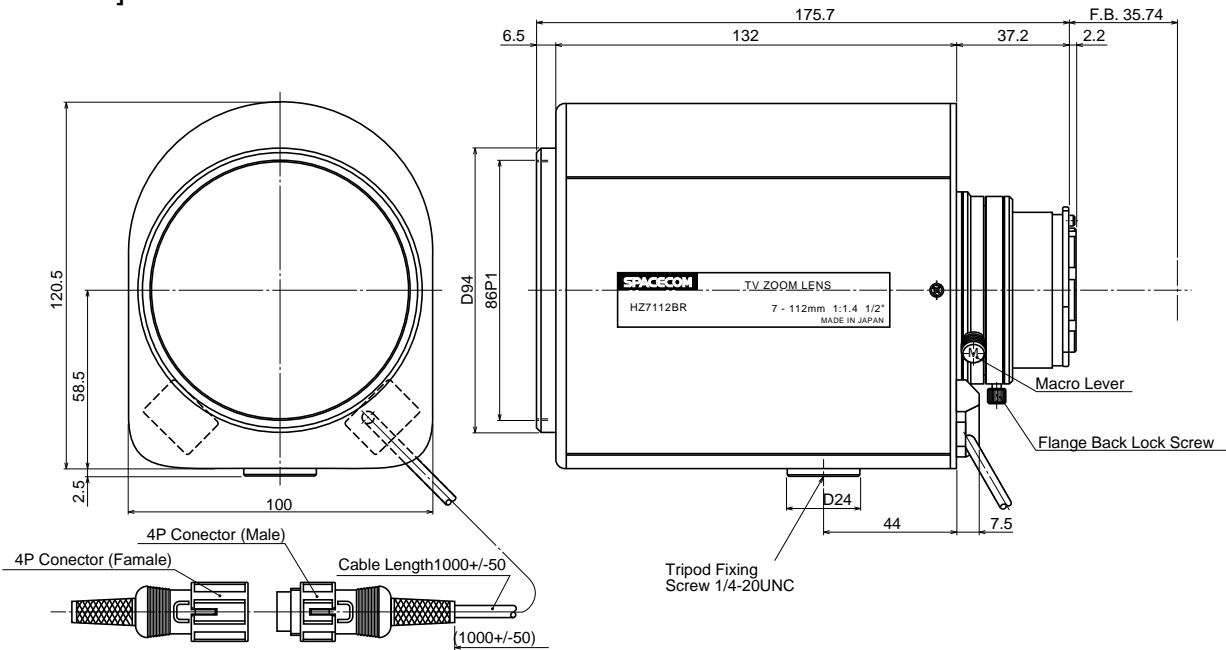
[COMPOSITION]

- Lens 1
- Lens Cap 1
- Dust Cap 1

4-Conductor Connector(Female) 1

(Any-4 conductor cable of external dia 6mm to be prepared separately.)

[DIMENSIONS]



[CIRCUIT DIAGRAM]

