

VF75DC-2

[SPECIFICATIONS]

Image Size: (1) (2/3) (1/2)

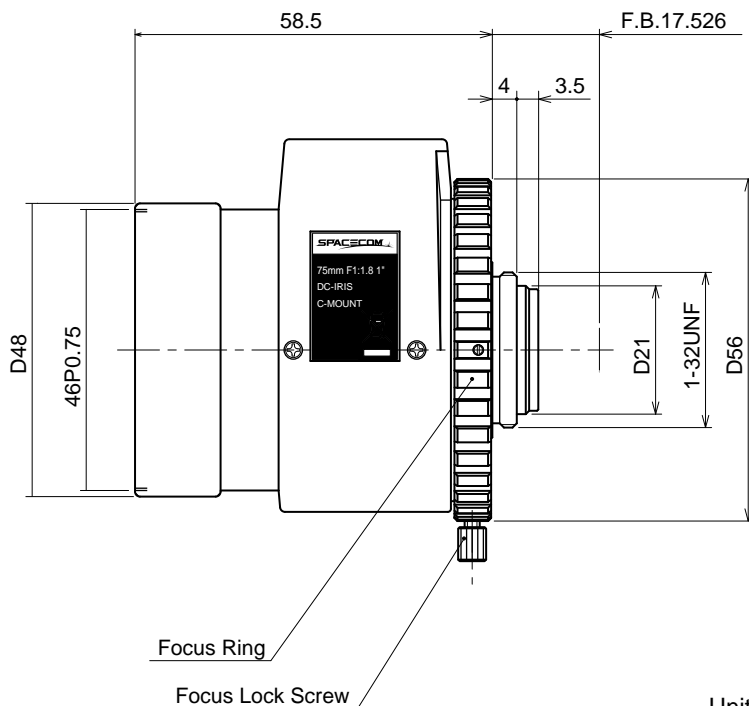
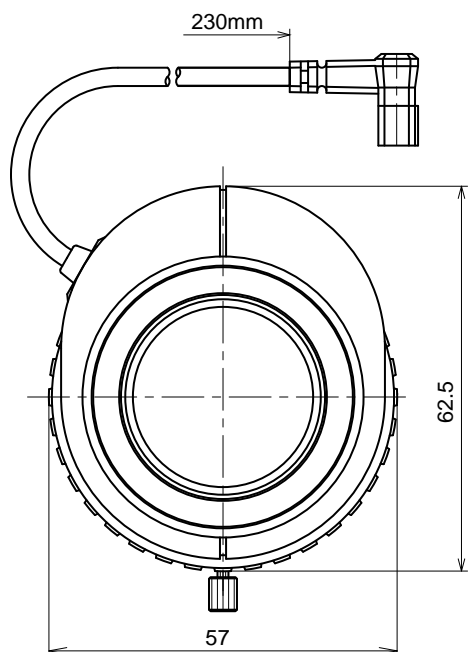
Focal Length : 75mm
 Maximum Relative Aperture : 1:1.8
 Iris : F1.8 - Approx. 360
 (With Attenuator)
 Angular Field of View : 9.7X7.3 deg
 Image Format : 12.8X9.6mm (D16mm)
 Minimum Object Distance : 0.8m (From Front Vertex)
 Object Dimensions at M.O.D. : 17.5X14.1cm
 Optical Back Focal Distance : 21.85mm (In Air)

Flange Back : 17.526mm
 Operation Voltage : Close to Open : Less than 3V
 Open to Close : More than 0.5V
 Operation : Focus : Manual
 Iris : IG (Auto Close System)
 Operation Temperature : -10 to +50°C
 Mount : C-Mount (Adjustable Lens Position)
 Front Thread : 46mm P0.75
 Size : 62.5X57X58.5mm

[COMPOSITION]

Lens1
 Lens Cap1
 Dust Cap1

[DIMENSIONS]



Unit:mm

[CIRCUIT DIAGRAM]

