

# HZ8120RAI

**[SPECIFICATIONS]**

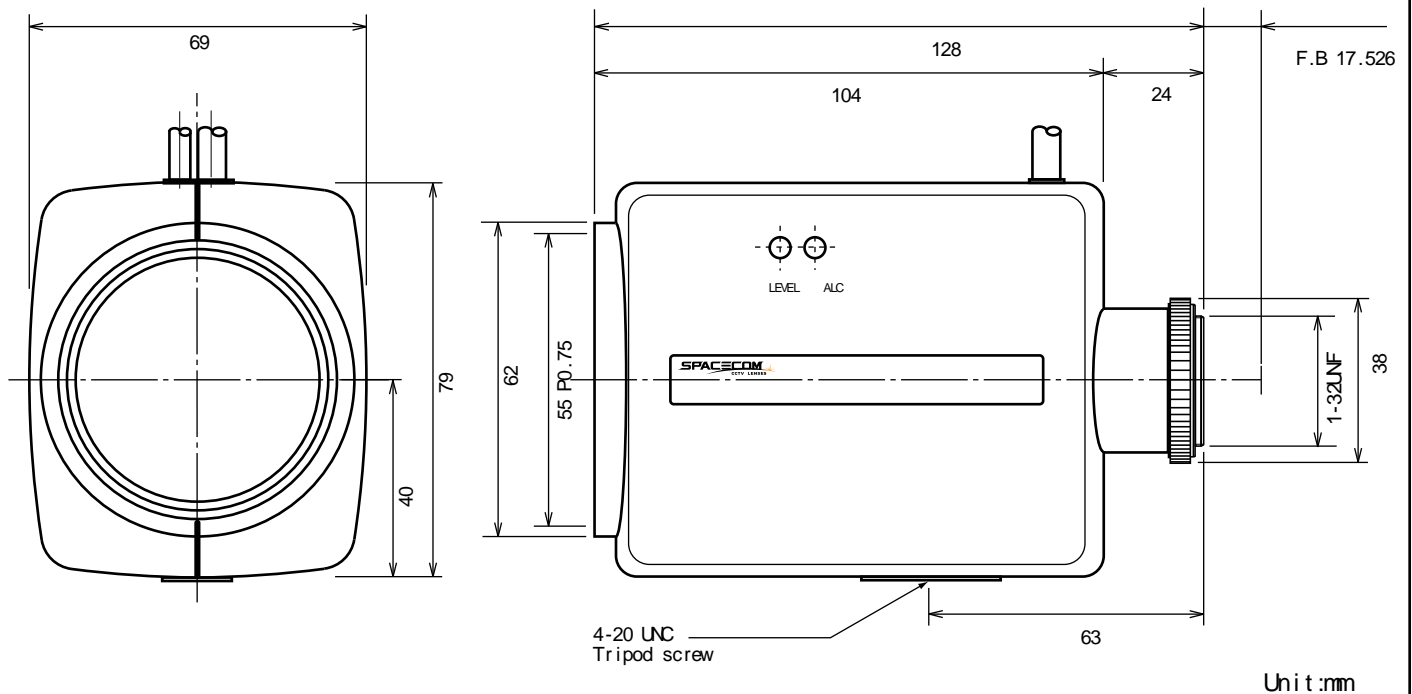
Image Size:  $\frac{1}{2}$   $\frac{1}{3}$   $\frac{1}{4}$

Focal Length :	8-120mm	Optical Back Focal Distance :	14.66mm (in Air)
Maximum Relative Aperture :	1:1.8	Flange Back :	17.526mm
Iris :	F1.8-360	Operation :	Zoom : Motorized Focus : Motorized Iris : EE (Auto Close System)
Zoom Ratio :	15X	EE Mechanism :	The built-in EE Amp amplifies the difference between the video signal from the camera and the preset Iris signal level. It causes the Iris to change size.
Angular Field of View :	8mm 43.6° x 33.0° 120mm 3.1° x 2.3°	Operation Temperature :	-10 ~ +50
Image Format :	4.8 x 3.6mm ( 6mm )	Mount :	C-mount
Minimum Object Distance :	12m ( From Front Vetex )	Size, Weight :	79 x 69 x 128mm , 570g

**【 Composition 】**

- Lens ······ 1
- Front Cap ······ 1
- Rear Cap ······ 1

**【 Dimensions 】**



**[CIRCUIT DIAGRAM]**

