

HZ880RAI

Image Size: $\frac{1}{2}$ $\frac{1}{3}$ $\frac{1}{4}$

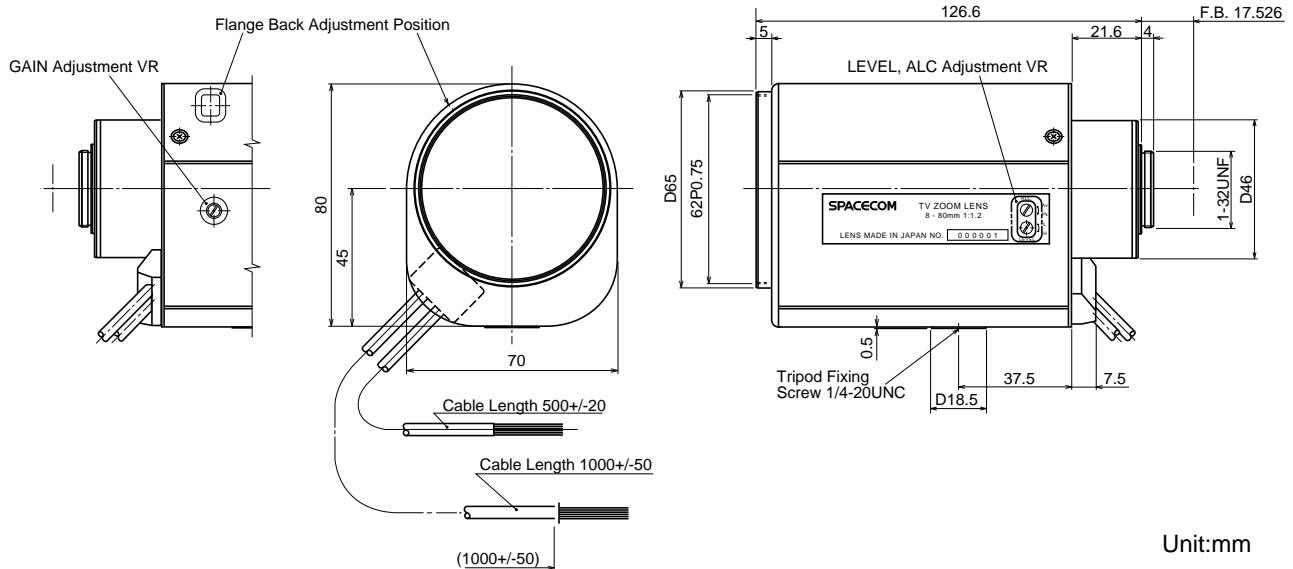
[SPECIFICATIONS]

Focal Length :	8 - 80mm	Photometry Range :	Approx. 40% - 70% Variable to Vp-p
Maximum Relative Aperture :	1:1.2	Input Impedance :	High Impedance
Iris :	F1.2 - Approx. 1200 (With ND Spot Filter)	Operation : Zoom :	Motorized(DC+/-6.4V, Max40mA) Speed Approx. 6sec.
Zoom Ratio :	10X	Focus :	Motorized(DC+/-6.4V, Max40mA) Speed Approx. 7sec.
Sensitivity Adjustment :	0.5 - 1.0Vp-p(Image Signal)	Iris :	EE (DC+8.5 to 16V : Fixed Voltage, Max60mA) Speed Within 3.5sec.
Angular Field of View :	43.6 X33.4 deg. at 8mm 4.6 X 3.4 deg. at 80mm	EE Mechanism :	The built-in EE Amp amplifies the difference between the video signal from the camera and the preset Iris signal level. It causes the Iris to change size.
Image Format :	6.4 X 4.8mm(D8mm)	EE Accuracy :	With Input Video Signal 0.7Vp-p Within+/-15% of Mean Value
Minimum Object Distance :	1.2m(From Front Vertex)	Operation Temperature :	-10 to +50
Object Dimensions at M.O.D. :	96.0X72.0cm at 8mm 9.6X 7.1cm at 80mm	Mount :	C-Mount(Adjustable Lens Position)
Optical Back Focal Distance :	15.76mm(In Air)	Front Thread :	62mm P0.75
Flange Back :	17.526mm	Size, Weight :	80X70X126.6mm, Approx. 700g
Input Signal :	Composite Video Signal or Video Signal		

[COMPOSITION]

Lens1
Lens Cap1
Dust Cap1

[DIMENSIONS]



Unit:mm

[CIRCUIT DIAGRAM]

