

[SPECIFICATIONS] 3.1MegaPixel Lens for 1" Sensor

Image Size: 1 ~~2/3~~ ~~1/1.8~~ ~~1/2~~

Focal Length : 8mm
 Maximum Relative Aperture : 1:1.4
 Iris : 1.4 - 16
 Angular Field of View : 79.7X63.0deg.
 Image Format : 12.8X9.6mm(D16mm)
 Minimum Object Distance : 0.1 m(From Front Vertex)
 Optical Back Focal Distance : 11.2mm(In Air)

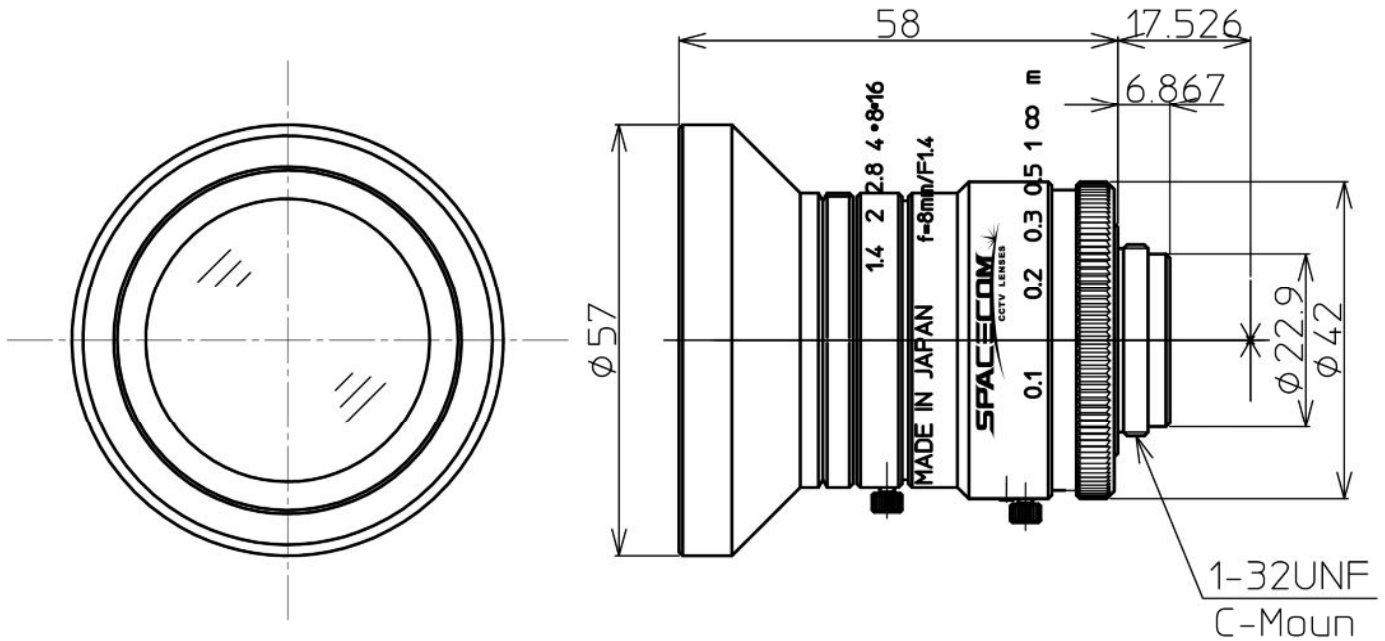
Flange Back : 17.526mm
 Operation : Focus : Manual
 Iris : Manual
 Operation Temperature : -10 to +50deg.
 Mount : C-Mount
 Front Thread : 55mm P0.75
 Size, Weight : D57X58mm, Approx. 200g

Resolution : 100lines/mm ,5 μm (at center) 80lines/mm ,6.25 μm (at corner) Distortion(TV) : -1.2%

[COMPOSITION]

- Lens1
- Lens Cap1
- Dust Cap1

[DIMENSIONS]



Unit:mm