

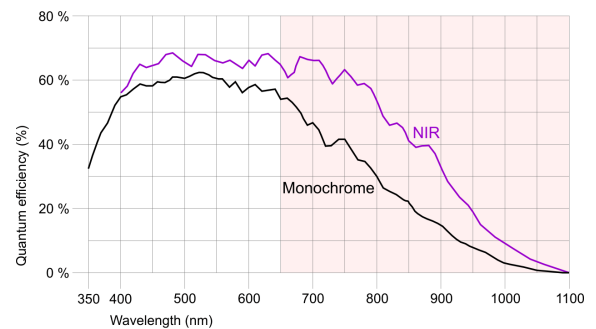
UI-3240CP-NIR-GL



Specification

Sensor

Sensor Technology	CMOS Mono
Manufacturer	e2v
Resolution (h x v)	1280 x 1024
Color depth (sensor)	10 bit
Color depth (camera)	12 bit
Pixel Class	1.x MP
Sensor Size	1/1.8"
Shutter	Rolling shutter/Global shutter/Global start shutter
max. fps in Freerun Mode	60.0
Binning Modes	M/C automatic
Subsampling Modes	-
Sensor Model	EV76C661ABT
Pixel size	5.3 μm
Optical Size	6.784 mm x 5.427 mm

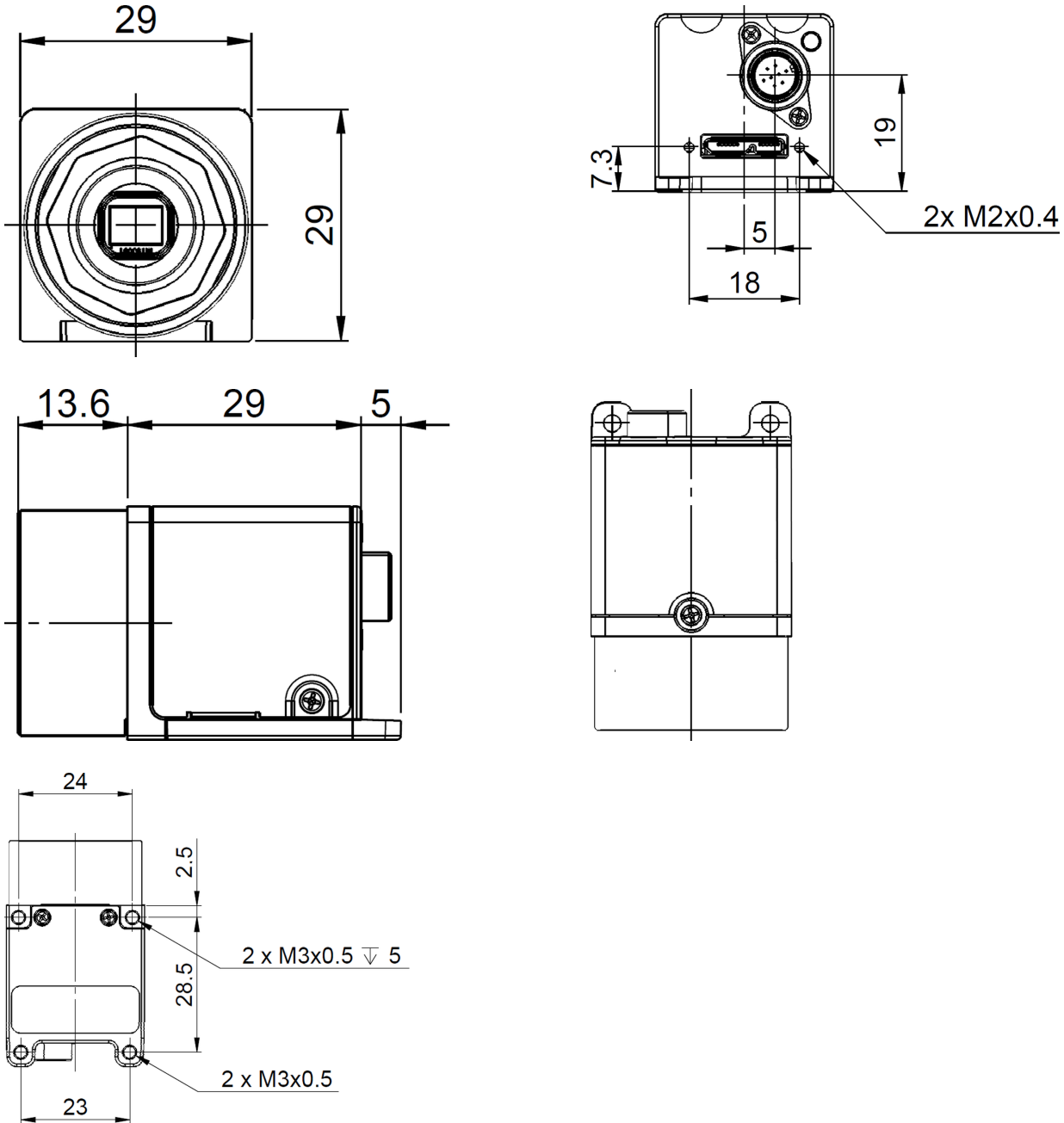


Design

Interface	USB 3
Lens Mount	C-Mount
I/O In	1 x Opto
I/O Out	1 x Opto
I/O RS-232	1
I/O GPIO	2
I/O I2C	-
Protection Class	IP30
Dimensions H/W/L	29.0 mm x 29.0 mm x 29.0 mm
Mass	44 g
Power supply	USB Cable

Subject to technical modifications

UI-3240CP-NIR-GL



Subject to technical modifications