

## T2Z3514CS-2

VARI FOCAL 2X 3.5~8.0 mm F1.4

for 1/3" format cameras

CS-Mount

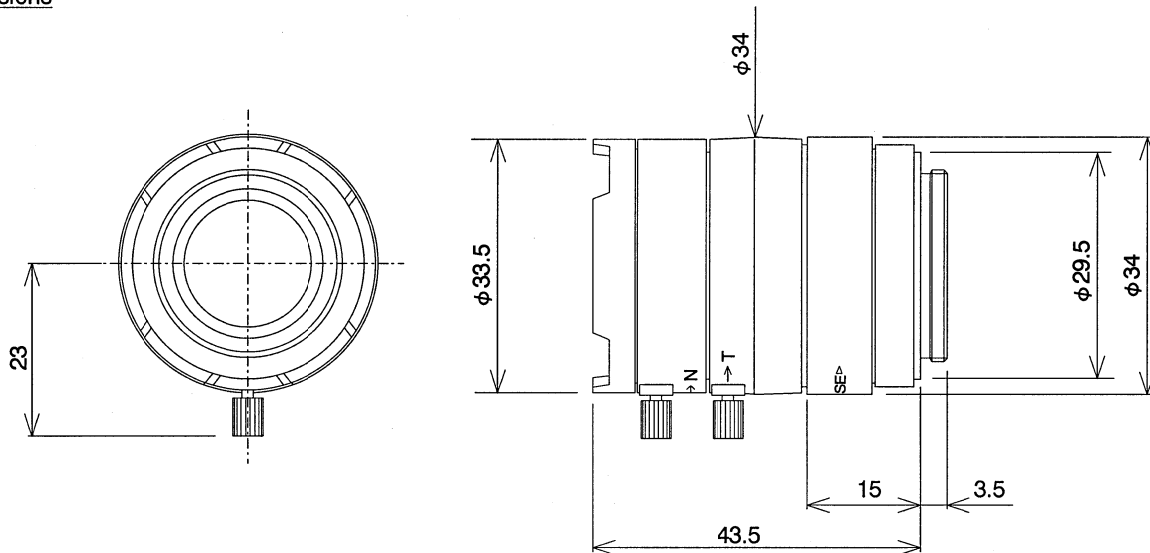
|                                   |                       |                    |                           |              |                  |
|-----------------------------------|-----------------------|--------------------|---------------------------|--------------|------------------|
| <b>Model No.</b>                  | T2Z3514CS-2           |                    | <b>Effective</b>          | <b>Front</b> | φ 16.6 mm        |
| <b>Focal Length</b>               | 3.5 ~ 8 mm            |                    | <b>Lens Aperture</b>      | <b>Rear</b>  | φ 9.0 mm         |
| <b>Max. Aperture Ratio</b>        | 1 : 1.4               |                    | <b>Back Focal</b>         | <b>Tele</b>  | 13.1 mm          |
| <b>Max. Image Format</b>          | 4.8 × 3.6 mm (φ 6 mm) |                    | <b>Length</b>             | <b>Wide</b>  | 8.3 mm           |
| <b>Operation</b>                  | <b>Iris</b>           | Manual, F1.4~C     | <b>Flange Back Length</b> |              | 12.5 mm          |
|                                   | <b>Focus</b>          | Manual, 0.4 m~Inf. | <b>Mount</b>              |              | CS-Mount         |
|                                   | <b>Zoom</b>           | Manual, 3.5~8 mm   | <b>Filter Size</b>        |              | -                |
| <b>Object Dimension at M.O.D.</b> | <b>3.5 mm</b>         | 64.3 × 43.9 cm     | <b>Dimensions</b>         |              | φ 34.0 X 43.5 mm |
|                                   | <b>8 mm</b>           | 25.5 × 18.9 cm     | <b>Weight</b>             |              | 38 g             |
| <b>Angle of View</b>              | <b>D</b>              | 97.9° ~ 44.3°      |                           |              |                  |
|                                   | <b>H</b>              | 1/3" 77.6° ~ 35.4° |                           |              |                  |
|                                   | <b>V</b>              | 57.6° ~ 26.6°      |                           |              |                  |
| <b>Operating Temperature</b>      | -20° C ~ +50° C       |                    |                           |              |                  |

1/3

CS

M.O.D. : Minimum Object Distance

Dimensions



Z

SP