

# HG2Z4516AFCS-2

VARI FOCAL 2X 4.5~10mm F1.6

for 1/2" format cameras

CS-Mount

with Focus, with Amplifier

Model No.	HG2Z4516AFCS-2		Effective Lens Aperture	Front	φ 18.6mm	
Focal Length	4.5 ~ 10 mm		Back Focal Length	Rear	φ 9.0mm	
Max. Aperture Ratio	1 : 1.6		Length	Tele	13.4mm	
Max. Image Format	6.4 x 4.8mm (φ 8mm)			Wide	8.6mm	
Operation Range	Iris	F1.6 ~ 360	Flange Back Length	12.5mm		
	Focus	0.3m ~ Inf.	Mount	CS-Mount		
	Zoom	4.5 ~ 10 mm	Filter Size	-		
Control	Iris	Auto Iris	Dimensions	φ 33.5 x 42.6 x 43.5mm		
	Focus	Manual	Weight	50g		
	Zoom	Manual				
Object Dimension at M.O.D.	4.5 mm	51.5 × 34.9cm				
	10 mm	20.8 × 15.3cm				
Angle of View	D	1/2"	102.3~47.6°	1/3"	76.1~35.8°	
	H		81.3~38.2°		1/4"	56.5~26.9°
	V		60.4~28.7°			45.0~21.5°
Supply Voltage	DC8 ~ 16V					
Current	less than 35mA					
Response Time	Approx. 2 sec.					
Light Weighting Method	Adjustable between Average - Peak ( to be set at Average at factory )					
Input Signal	Video Signal (V or VS)					
Iris Accuracy	± 15% at Video Signal Level					
Sensitivity Adjustment	0.5 ~ 1.0Vp-p (Video Signal)					
Input Impedance	High Impedance					
Operating Temperature	-20° C ~ +50° C					

1/2

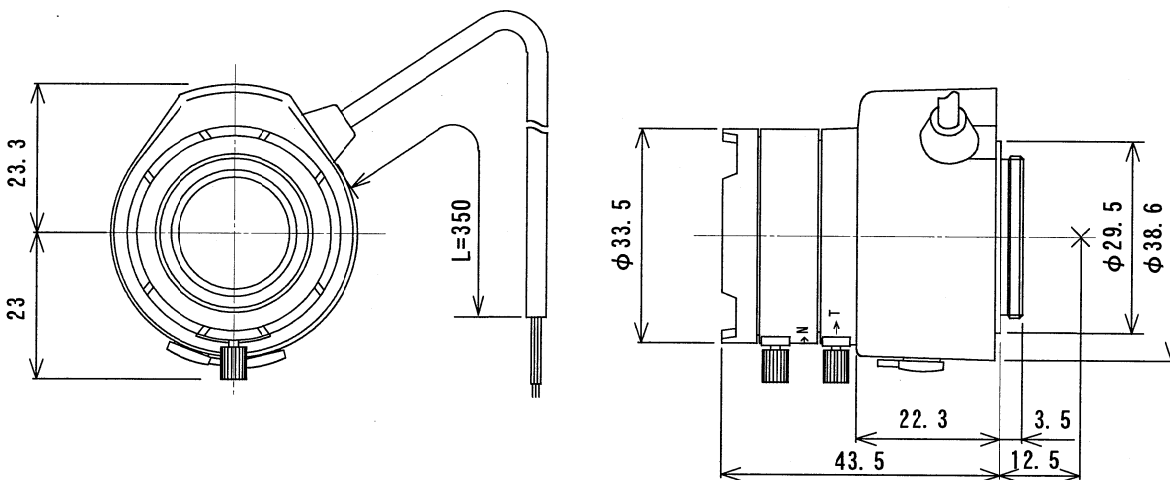
CS

AG

Z

M.O.D. : Minimum Object Distance

Dimensions



SP

Wiring Diagram

