

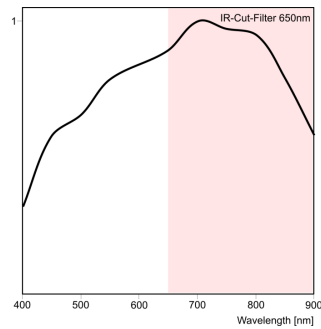
UI-1120SE-M-GL



Specification

Sensor

Sensor Technology	CMOS Mono
Manufacturer	NIT
Resolution (MPix)	0.44
Resolution (h x v)	768 x 576
ADC	12 bit
Color depth (camera)	8 bit
Pixel Class	CCIR
Sensor Size	1/1.8
Shutter	Rolling shutter
max. fps in Freerun Mode	50.0
Binning Modes	-
Subsampling Modes	-
Sensor Model	NSC0806M
Pixel size	10 µm
Optical Size	7.680 mm x 5.760 mm
Optical sensor diagonal	9.6 mm (1/1.67")



Design

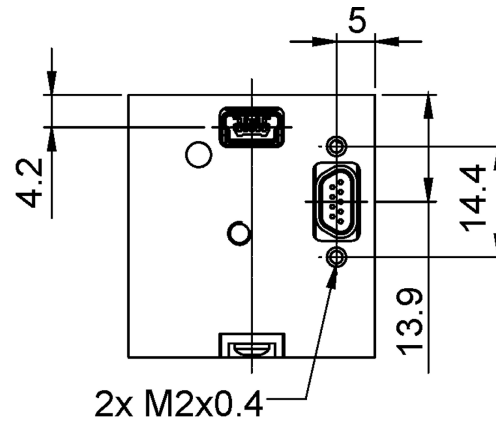
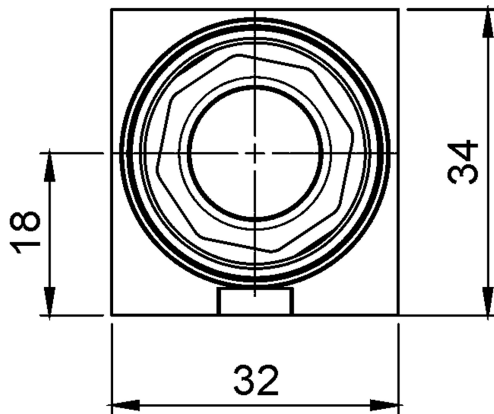
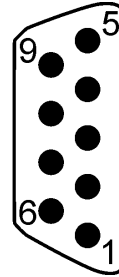
Interface	USB 2
Lens Mount	C-Mount
I/O In	1 x optodecoupled
I/O Out	1 x optodecoupled
I/O RS-232	-
I/O GPIO	-
I/O I ² C	-
IP code	IP30
Dimensions H/W/L	34.0 mm x 32.0 mm x 41.3 mm
Mass	65 g
Power supply	USB Cable

Subject to technical modifications

UI-1120SE-M-GL

Pin assignment I/O connector

1	Digital output (-)
2	Digital input (+)
3	Shielding
4	USB Power supply (VCC) 5V
5	USB Ground (GND)
6	Digital output (+)
7	Digital input (-)
8	USB data (+)
9	USB data (-)



UI-1120SE-M-GL

