

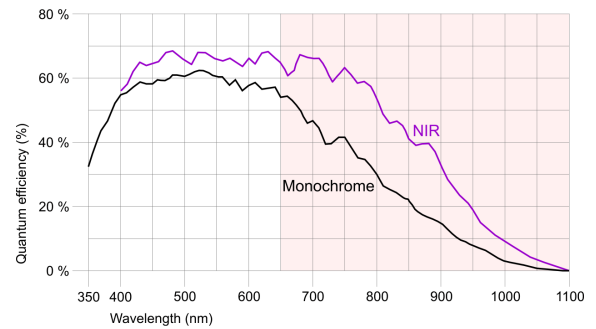
## UI-1240LE-NIR-GL



## Specification

### Sensor

Sensor Technology	CMOS Mono
Manufacturer	e2v
Resolution (MPix)	1.00
Resolution (h x v)	1280 x 1024
ADC	10 bit
Color depth (camera)	8 bit
Pixel Class	1.x MP
Sensor Size	1/1.8
Shutter	Rolling shutter/Global shutter/Global start shutter
max. fps in Freerun Mode	25.8
Binning Modes	M/C automatic
Subsampling Modes	-
Sensor Model	EV76C661ABT
Pixel size	5.3 $\mu\text{m}$
Optical Size	6.784 mm x 5.427 mm
Optical sensor diagonal	8.69 mm (1/1.84")

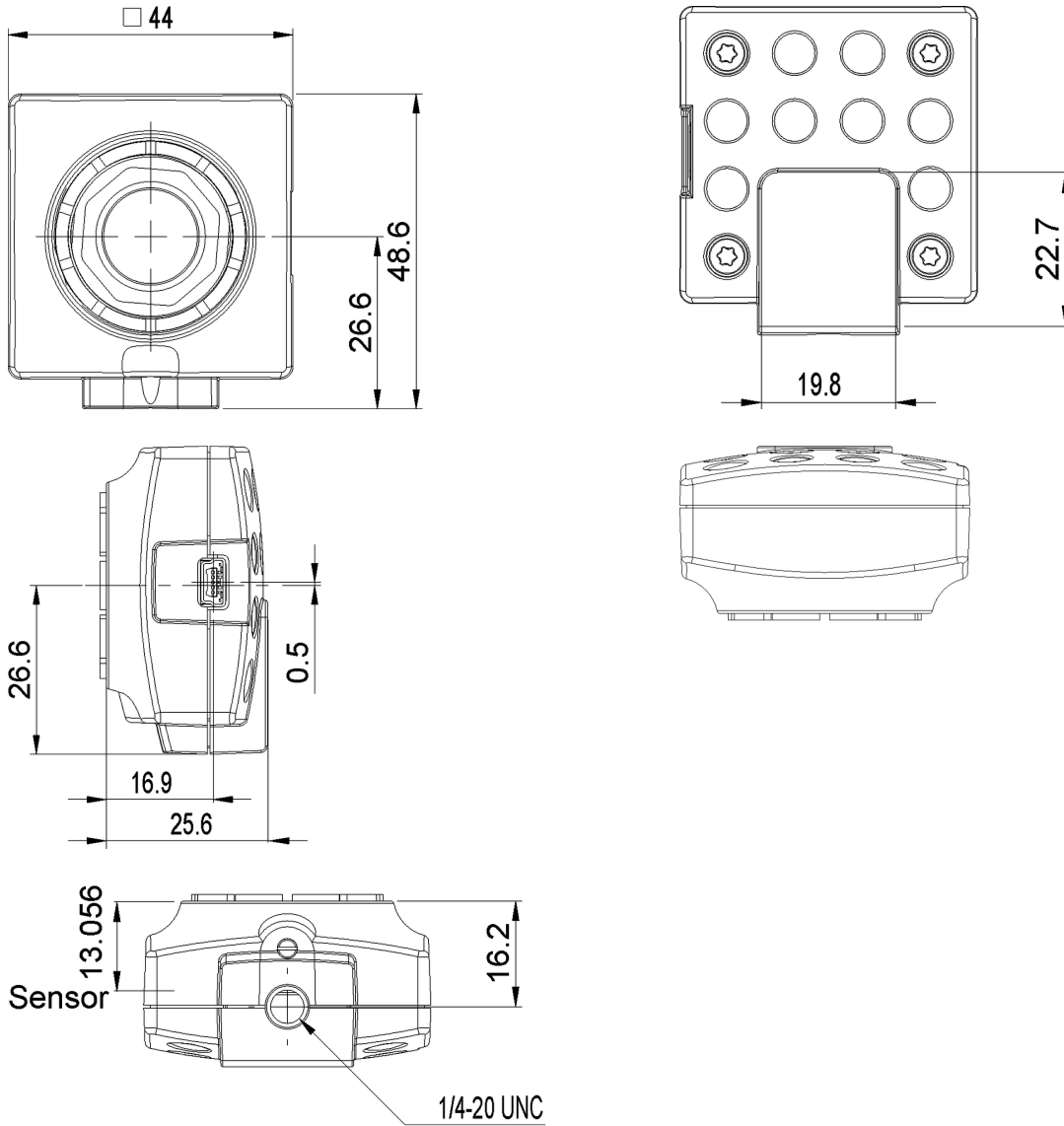


### Design

Interface	USB 2
Lens Mount	CS- / C-Mount
I/O In	-
I/O Out	-
I/O RS-232	-
I/O GPIO	-
I/O I <sup>2</sup> C	-
IP code	IP30
Dimensions H/W/L	48.6 mm x 44.0 mm x 25.6 mm
Mass	41 g
Power supply	USB Cable

Subject to technical modifications

## UI-1240LE-NIR-GL



Subject to technical modifications