

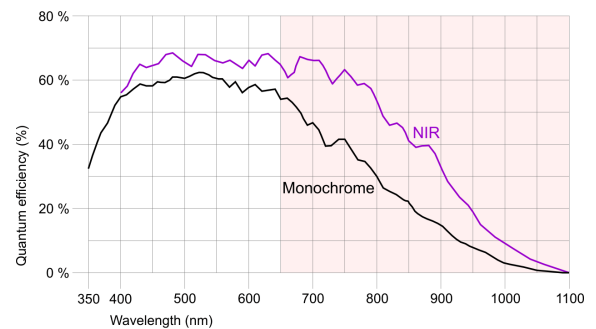
UI-1240SE-NIR-GL



Specification

Sensor

Sensor Technology	CMOS Mono
Manufacturer	e2v
Resolution (MPix)	1.00
Resolution (h x v)	1280 x 1024
ADC	10 bit
Color depth (camera)	8 bit
Pixel Class	1.x MP
Sensor Size	1/1.8
Shutter	Rolling shutter/Global shutter/Global start shutter
max. fps in Freerun Mode	25.8
Binning Modes	M/C automatic
Subsampling Modes	-
Sensor Model	EV76C661ABT
Pixel size	5.3 µm
Optical Size	6.784 mm x 5.427 mm
Optical sensor diagonal	8.69 mm (1/1.84")



Design

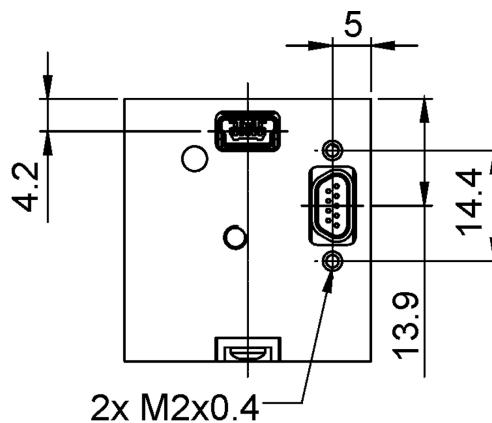
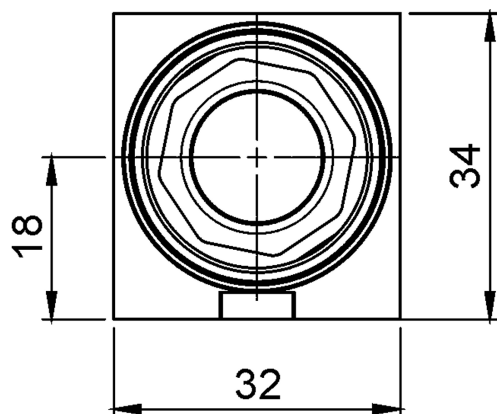
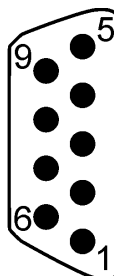
Interface	USB 2
Lens Mount	C-Mount
I/O In	1 x optodecoupled
I/O Out	1 x optodecoupled
I/O RS-232	-
I/O GPIO	-
I/O I ² C	-
IP code	IP30
Dimensions H/W/L	34.0 mm x 32.0 mm x 41.3 mm
Mass	65 g
Power supply	USB Cable

Subject to technical modifications

UI-1240SE-NIR-GL

Pin assignment I/O connector

1	Digital output (-)
2	Digital input (+)
3	Shielding
4	USB Power supply (VCC) 5V
5	USB Ground (GND)
6	Digital output (+)
7	Digital input (-)
8	USB data (+)
9	USB data (-)



UI-1240SE-NIR-GL

