

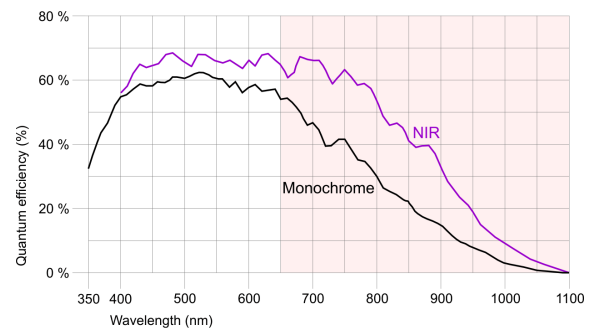
UI-5240SE-M-GL Rev.2



Specification

Sensor

Sensor Technology	CMOS Mono
Manufacturer	e2v
Resolution (MPix)	1.00
Resolution (h x v)	1280 x 1024
ADC	10 bit
Color depth (camera)	12 bit
Pixel Class	1.x MP
Sensor Size	1/1.8
Shutter	Rolling shutter/Global shutter/Global start shutter
max. fps in Freerun Mode	50.0
Binning Modes	M/C automatic
Subsampling Modes	-
Sensor Model	EV76C560ABT
Pixel size	5.3 μm
Optical Size	6.784 mm x 5.427 mm
Optical sensor diagonal	8.69 mm (1/1.84")



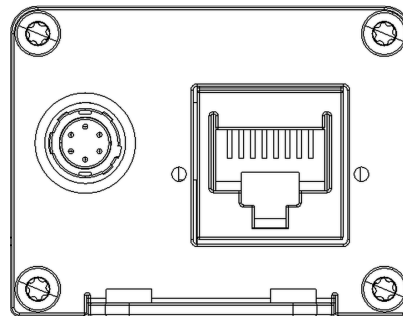
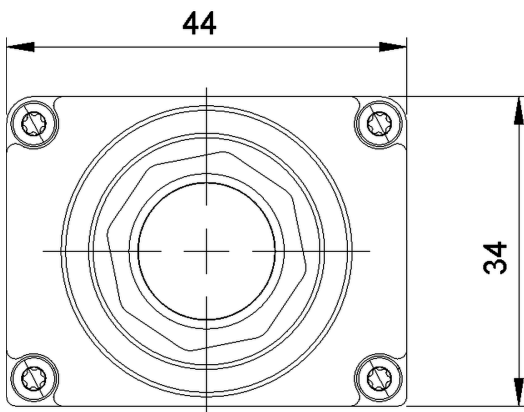
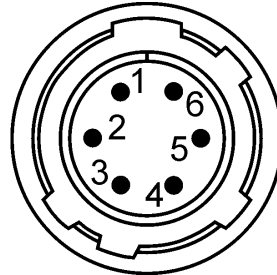
Design

Interface	GigE
Lens Mount	C-Mount
I/O In	1 x optodecoupled
I/O Out	1 x optodecoupled
I/O RS-232	-
I/O GPIO	-
I/O I ² C	-
IP code	IP30
Dimensions H/W/L	34.0 mm x 44.0 mm x 49.8 mm
Mass	102 g
Power supply	12V - 24V

Subject to technical modifications

Pin assignment I/O connector

1	Ground (GND)
2	Power supply (VCC)
3	Digital input (-)
4	Digital input (+)
5	Digital output (+)
6	Digital output (-)



UI-5240SE-M-GL Rev.2

