

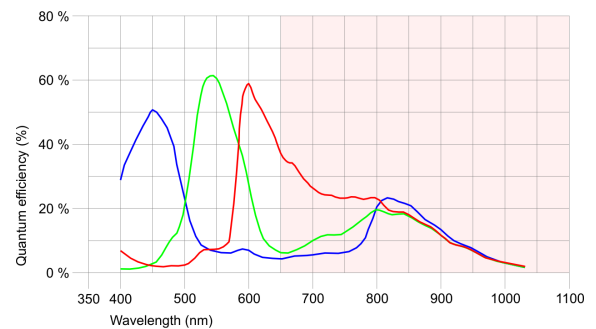
## UI-5580CP-C-HQ



## Specification

### Sensor

Sensor Technology	CMOS Color
Manufacturer	Aptina
Resolution (MPix)	5.00
Resolution (h x v)	2560 x 1920
ADC	12 bit
Color depth (camera)	12 bit
Pixel Class	5 MP
Sensor Size	1/2
Shutter	Rolling shutter/Global start shutter
max. fps in Freerun Mode	14.1
Binning Modes	Color
Subsampling Modes	Color
Sensor Model	MT9P006STC
Pixel size	2.2 $\mu\text{m}$
Optical Size	5.632 mm x 4.224 mm
Optical sensor diagonal	7.04 mm (1/2.27")



### Design

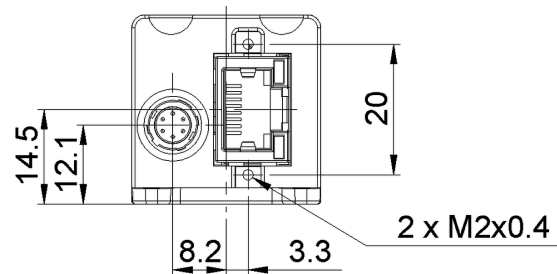
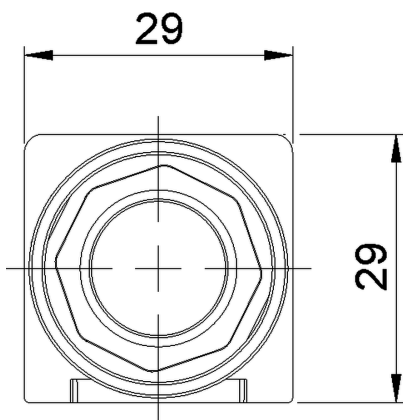
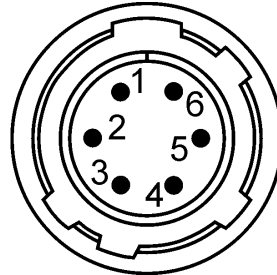
Interface	GigE
Lens Mount	C-Mount
I/O In	1 x optodecoupled
I/O Out	1 x optodecoupled
I/O RS-232	-
I/O GPIO	-
I/O I <sup>2</sup> C	-
IP code	IP30
Dimensions H/W/L	29.0 mm x 29.0 mm x 40.5 mm
Mass	61 g
Power supply	12V - 24V or PoE

Subject to technical modifications

## UI-5580CP-C-HQ

### Pin assignment I/O connector

1	Ground (GND)
2	Power supply (VCC) 12-24V
3	Digital input (-)
4	Digital input (+)
5	Digital output (+)
6	Digital output (-)



## UI-5580CP-C-HQ

