

WAT-910BD 1/2" Ultra High Sensitivity Dark-field Camera

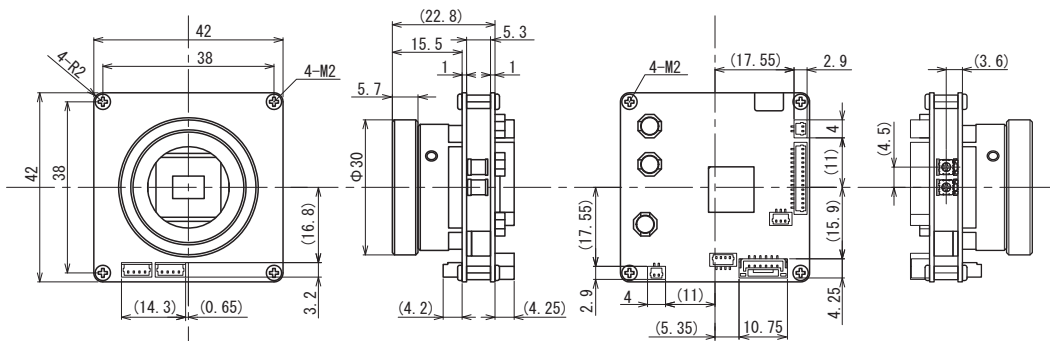
Achieves minimum illumination performance by 1/2-inch high sensitive CCD sensor and unique circuit design



Key features

- Low light sensitivity 0.0000025 lx. (F1.4, slow shutter mode: 256 fields)
- High quality image without noise under poor light condition
- 3DNR, digital wide dynamic range and slow shutter
- Motion detection, white blemish correction and back light compensation
- Advanced setting available by OSD (On-Screen Display) through an optional controller and SPI communication

Dimensions

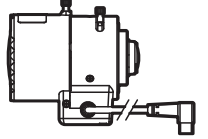


Specifications

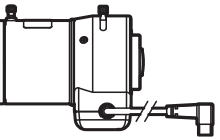
Video standard		EIA	CCIR
Pick-up element		1/2 inch interline transfer CCD image sensor	
Number of total pixels		811(H) × 508(V)	795(H) × 596(V)
Number of effective pixels		768(H) × 494(V)	752(H) × 582(V)
Unit cell size		8.4 μm(H) × 9.8 μm(V)	8.6 μm(H) × 8.3 μm(V)
Synchronizing system		Internal	
Scanning system		2:1 interface	
Video outputs	Analog	Composite: 1.0 V(p-p) 75 Ω (Unbalanced)	
	Digital	BT.656 (Compatible): 8bit parallel, (H/V Sync dual output)	
		Pixel clock 28.6363MHz	Pixel clock 28.375MHz
Resolution (H)		More than 570TVL (Center)	
Minimum illumination		0.0000025 lx F1.4 (AGC=HI, γ=0.35, 3DNR=ON, Shutter=x256)	
S/N		More than 52dB (AGC=6dB, γ=1.0, 3DNR=ON, Shutter=x256)	
Function settings		OSD (On Screen Display) / 3 wired SPI interface, Remote controller	
AE mode	Fixed	x2, x4, x8, x16, x32, x64, x128, x256 (field)	
		1/60, 1/100 sec.	1/50, 1/120 sec.
		1/250, 1/500, 1/1000, 1/2000, 1/5000, 1/10000, 1/100000 sec.	
	EI	1/60 - 1/100000 sec.	1/50 - 1/100000 sec.
		(SENSE-UPMAX) - 1/100000 sec.	
AGC	ON	LO: 6 - 30dB / MID: 6 - 34.5dB / HI: 6 - 41dB	
	OFF	6 - 41dB (MGC)	
Gamma characteristics		γ ≈ 0.05 - 0.45 - 1.0 (0.05 step), USER (S-curve)	
Noise reduction		3DNR ON / OFF (Level adjustable)	
Wide dynamic range		D-WDR (Digital Wide Dynamic Range) OFF / USER1 / USER2	
Motion detection		4 areas	
Lens iris		Video / DC	
Back light compensation		OFF / BLC / HSBLC	
White blemish correction		Max 64 dots	
Mirror image		OFF / H-FLIP / V-FLIP / HV-FLIP	
Freeze		ON / OFF	
Digital zoom		ON (x1.0 - x32.0, Magnification selectable) / OFF	
Neg.image		ON / OFF	
Power supply		DC+12V±10%	
Power consumption		1.38W (115mA)	
Operating temperature		-10 - +50°C	
Storage temperature		-30 - +70°C	
Operating / Storage humidity		95% RH or less (Without condensation)	
Lens mount		CS mount	
Weight		Approx. 40g	
Accessories		WPDC12 (DC plug), AIC-G (Iris plug), Hex. wrench, Cable (6 pcs)	

Accessories Options

CS-mount lenses




12VG412ASIR




12VG1040ASIR


Miniature lenses / Mount adaptors




3745B-13P



22PMA-M13-040




0814BC-12



22PMA-M12-125

C-mount adaptor

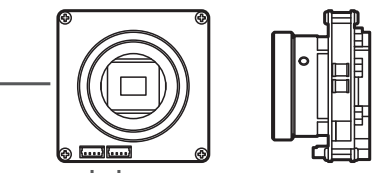


30CMA-R

C-mount Lenses


※Not in our lineup

WAT-910BD




IRIS (VIDEO / DC)

Cable

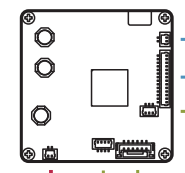


IRIS cable

Conversion cable



AIC-G cable (CC-01)



VIDEO OUT


Cable



VIDEO cable

DIGITAL VIDEO OUT


Cable



DVO cable

GPIO TERMINAL

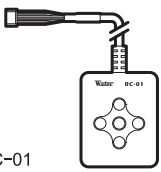
Cable



GPIO cable

REMOTE


Remote control



RC-01

CAMERA CTL


Cable



SPI cable

POWER IN (DC12V)

Cable



POWER cable