

## Stingray – The Transformer Camera.



### Description

The Stingray falls into the mid-range in terms of price, but offers a breadth of functions unrivaled in its class and an unbeatable price/performance ratio. The Stingray versions are equipped with a fast FireWire IEEE1394b interface and high-end CCD sensors in color and monochrome, with resolutions from VGA up to 5 megapixels. To meet the highest requirements in the industry, the Stingray comes optionally in a version with a copper daisy chain connection or 1 x copper combined with 1 x GOF connector (2 x optical fiber on LCLC).

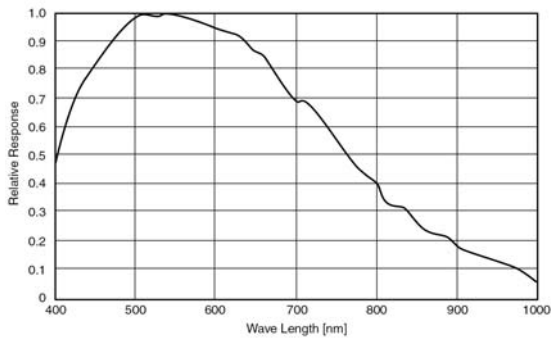
The camera is loaded with typical AVT intelligent functions for image pre-processing, like lookup tables, shading corrections, white balance and 2 to 8x binning\* for enhanced photosensitivity. Grabber functions, including an internal memory and deferred transport mode, make the Stingray ideal for multi-camera operations, while the sequence mode enables lightning-fast parameter changes. The Stingray is designed to be modular and flexible, offering a wide selection of lens-mounts, sensors, case variations, interfaces and cable outputs, which can be flexibly configured using building-block principles.

\* monochrome versions only

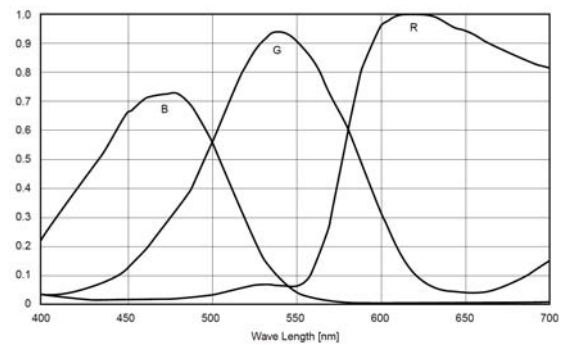
### Highlights

- IEEE 1394b (S800 daisy chain)
- > XGA-2 (1388 x 1038)
- Up to 16 fps (full resolution)
- Progressive scan CCD, monochrome and color
- Image pre-processing features:
  - LUT
  - Real-time shading correction
  - High SNR mode
  - Hue, saturation (color only)
  - Color debayering
  - 2x ... 8x binning\* / sub-sampling
  - Low noise binning mode
  - Defect pixel correction
  - And lots more ...
- Smart frame grabber features:
  - 32 MB on-board
  - Deferred image transport
  - Trigger delay
  - Multi-shot, mirror image
  - SIS (secure image signature)
  - Sequence mode
  - And lots more ...
- Industry proven and robust housing
- C-Mount / CS-Mount
- Angled head, board level version (on request)
- Medical design on request

## Sensor Specification b/w

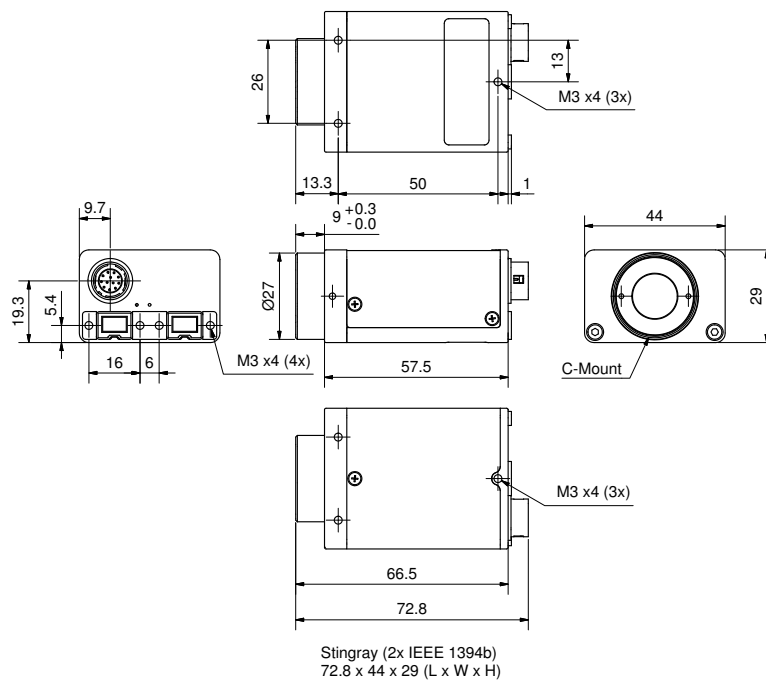


## Sensor Specification color



The sensor specifications (excluding lens and filter) are typical for this camera model.

## Dimensions



## Connections Copper / Daisy Chain

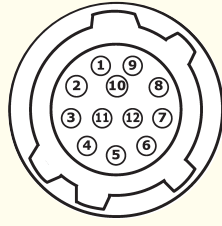


## Connections Copper / GOF



Preview mode (by sub-sampling)	
AOI height / pixel	Frame rate
1038	16
768	20
600	24
480	28
320	36
240	42
120	56
30	74
10	80
2	83

I/O Connector	
Pin	Signal
1	External GND
2	External Power (8...36V DC)
3	GP Output 4
4	GP Input 1 (Default: Trigger)
5	GP Output 3 (Default: Busy)
6	GP Output 1 (Default: IntEna)
7	GP Input GND
8	RxD (RS232)
9	TxD (RS232)
10	GP Output Power (max. 35 V DC)
11	GP Input 2 (CMOS/TTL)
12	GP Output 2



Camera specifications	Stingray F-145 B/C	Stingray F-145 B/C fiber
Image device	Type 2/3 (diag. 11 mm), progressive scan SONY CCD, ICX 285AL/AQ	
Picture size	1388 (H) x 1038 (V)	
Cell size	6.45 µm x 6.45 µm	
Resolution depth	8 bit / 14 bit (16 bit in High SNR mode)	
Lens mount	C-Mount / optional: CS-Mount	
Digital interface	IEEE1394b, (IIDC V1.31) S 800 daisy chain	
Transfer rate	100 Mbit/s, 200 Mbit/s, 400 Mbit/s, 800 Mbit/s	
Frame rates	Up to 16 fps (full resolution)	
Gain control	Manual: 0...24 dB, auto gain	
Shutter speed	74 µs ... ~ 67 s, auto shutter	
Image pre-processing	LUT; shading correction; High SNR mode; white balance; color interpolation (debayering); local color anti aliasing; hue; saturation; sub-sampling; 2x - 8x binning (only b/w) or sub-sampling; low noise binning mode; defect pixel correction; separate reference AOI for auto features	
Grabber features	32 MB on-board memory; deferred image transport; trigger delay; multi-shot; mirror image; several trigger modes; SIS (secure image signature); sequence mode; storable user sets	
Power requirements	DC 8 V - 36 V; < 3.5 W (fiber < 4 W) @ 12 V	
Dimensions	72.8 mm x 44 mm x 29 mm (L x W x H)	
Mass	92 g (without lens)	
Operating temperature	+ 5 ... + 45° Celsius	
Storage temperature	- 10 ... + 60 ° Celsius	
Regulations	CE, FCC Class B, RoHS (2002/95/EC)	
Options	Angled head, board level version (on request), cables, optical filters; Stingray F-145 B/C fiber; medical design on request; AVT FirePackage / Active FirePackage / Fire4Linux	

Design and specifications of the described product(s) are subject to change without notice.  
© 06/2009