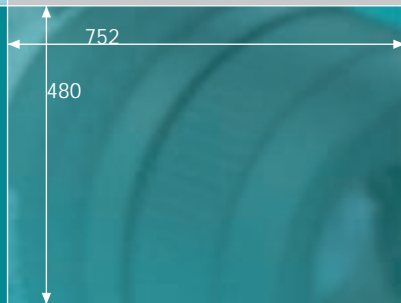




iDS



USB uEye® UI-1220ME-C/M

WVGA Camera with 1/3" CMOS Global Shutter Sensor

USB uEye® UI-1220ME-C/M

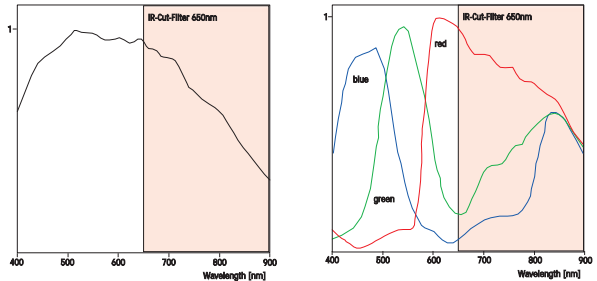


The characteristics at a glance



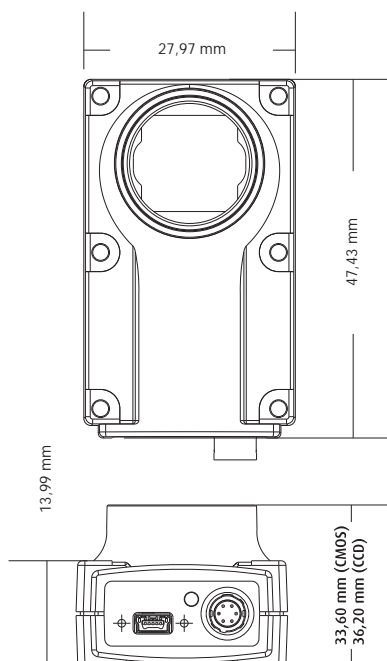
The USB uEye® ME Family

The USB uEye ME - the "Machine Edition" - features a completely new housing concept. With its right angle design, the uEye ME is ideal for vision applications where there are space constraints. In addition, its lockable connectors and the industrial grade metal housing make the uEye ME suitable for vision applications where reliable performance is required under the most strenuous conditions.



Sensor Characteristics UI-1220ME-M

UI-1220ME-C



Dimensions USB uEye ME Models

Interface	USB 2.0
Sensor Technology	CMOS
Model description (color)	UI-1220ME-C
Model description (Mono)	UI-1220ME-M
Resolution (h x v)	752 x 480
Resolution Category / Pixel Class	WVGA
Sensor size	1/3"
Shutter	Global
max. fps in Freerun Mode at full resolution	87 fps
max. fps in SW Trigger Mode at 1 ms exposure	83 fps
Exposuretime in Freerun Mode	37 μ s - 5,58 s
Exposuretime in Trigger Mode	37 μ s - 5,58 s
AOI Modes	H ² + V ²
AOI with 320 x 240 Pixels (CIF)	200 fps
Subsampling Modes	-
Subsampling Factors	-
Binning Modes	H ² + V ² (Mono)
Binning Method	H + V: Average
Binning Factors	2x, 4x
Resolution, fps	320 x 240, 274 fps 160 x 120, 466 fps
Mono: Maximum Gain	4x
Color: Maximum Gain RGB/Master	5x (SW)/4x
Additional Gain Boost with Factor	1,6x
Sensor Model	MT9V022
Pixelpitch in μ m	6,0
Optical Size	4,51 x 2,88 mm
Aspect Ratio	14:9
Exact Real Diagonal	5,35 mm, 1/2,99"

In scope of delivery:

Powerful, easy to handle uEye SDK
 uEye Demo and Programexamples executable and Source Code.
 uEye Camera Manager
 TWAIN, Active-X and Direct Show (WDM) drivers
 Interfaces for Activision Tools, Common Vision Blox, HALCON, LabVIEW and Neurocheck
 GenICam™ Interface

Driver for Windows 2000, XP, VISTA and Linux

² = Use increases frame rate

