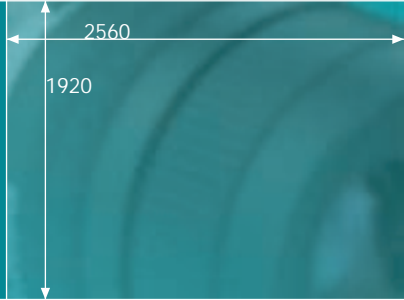




iDS



USB uEye® UI-1480ME-C/M

5 Megapixel QSXGA Camera with 1/2" CMOS Sensor

USB uEye® UI-1480ME-C/M

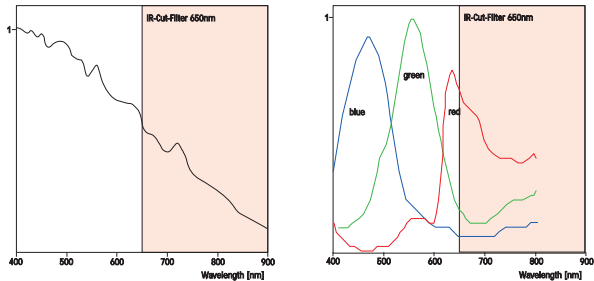


The characteristics at a glance



The USB uEye®ME Family

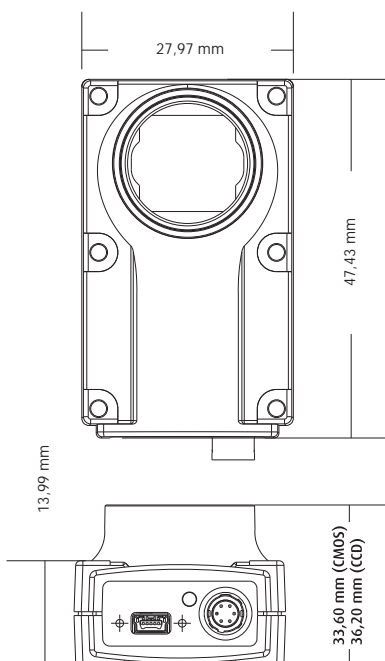
The USB uEye ME - the "Machine Edition" - features a completely new housing concept. With its right angle design, the uEye ME is ideal for vision applications where there are space constraints. In addition, its lockable connectors and the industrial grade metal housing make the uEye ME suitable for vision applications where reliable performance is required under the most strenuous conditions.



Sensor Characteristics

UI-1480ME-M

UI-1480ME-C



Dimensions USB uEye ME Models

Interface	USB 2.0
Sensor Technology	CMOS
Model description (color)	UI-1480ME-C
Model description (Mono)	UI-1480ME-M
Resolution (h x v)	2560 x 1920
Resolution Category / Pixel Class	Q SXGA/5 MP
Sensor size	1/2"
Shutter	Rolling/Global Start
max. fps in Freerun Mode at full resolution	6,3 fps
max. fps in SW Trigger Mode at 1 ms exposure	6,3 fps
Exposuretime in Freerun Mode	75 µs - 2,7 s
Exposuretime in Trigger Mode	75 µs - 2,7 s
AOI Modes	H ² + V ²
AOI with 1920 x 1080 Pixels	13,5 fps
Subsampling Modes	H ² + V ²
Subsampling Factors	2x, 3x, 4x, 5x, 6x
Resolution, fps	1280 x 960, 25,4 fps 640 x 480, 100,6 fps
Binning Modes	H ² + V ² (color)
Binning Method	H: Summing V: Average
Binning Factors	2x, 3x, 4x, 6x
Mono: Maximum Gain	30x
Color: Maximum Gain RGB/Master	6,65x/12,1x
Additional Gain Boost with Factor	Color: 1,6x
Sensor Model	MT9P031
Pixelpitch in µm	2,2
Optical Size	5,63 x 4,22 mm
Aspect Ratio	4:3
Exact Real Diagonal	7,0 mm, 1/2,3"

In scope of delivery:

Powerful, easy to handle uEye SDK
 uEye Demo and Programexamples executable and Source Code.
 uEye Camera Manager
 TWAIN, Active-X and Direct Show (WDM) drivers
 Interfaces for Activision Tools, Common Vision Blox, HALCON, LabVIEW and Neurocheck
 GenICam™ Interface

Driver for Windows 2000, XP, VISTA and Linux

² = Use increases frame rate

