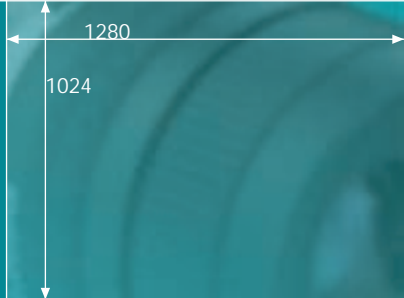




iDS



USB uEye[®] UI-1540ME-M

1,3 Megapixel SXGA Camera with 1/2" CMOS Sensor

USB uEye® UI-1540ME-M

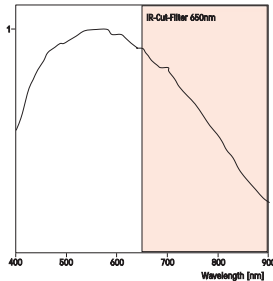


The characteristics at a glance



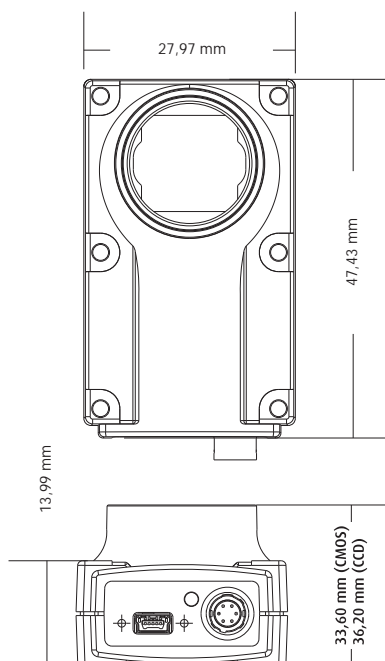
The USB uEye®ME Family

The USB uEye ME - the "Machine Edition" - features a completely new housing concept. With its right angle design, the uEye ME is ideal for vision applications where there are space constraints. In addition, its lockable connectors and the industrial grade metal housing make the uEye ME suitable for vision applications where reliable performance is required under the most strenuous conditions.



Sensor Characteristics

UI-1540ME-M



Dimensions USB uEye ME Models

Interface	USB 2.0
Sensor Technology	CMOS
Model description (color)	-
Model description (Mono)	UI-1540ME-M
Resolution (h x v)	1280 x 1024
Resolution Category / Pixel Class	SXGA
Sensor size	1/2"
Shutter	Rolling
max. fps in Freerun Mode at full resolution	25 fps
max. fps in SW Trigger Mode at 1 ms exposure	25 fps
Exposuretime in Freerun Mode	37 µs - 983 ms
Exposuretime in Trigger Mode	37 µs - 983 ms
AOI Modes	H ² + V ²
AOI with 640 x 480 Pixels	84 fps
Subsampling Modes	H ² + V ² (color)
Subsampling Factors	2x, 4x, 8x
Resolution, fps	640 x 480, 98 fps 320 x 240, 269 fps
Binning Modes	-
Binning Method	-
Binning Factors	-
Resolution, fps	-
Mono: Maximum Gain	13x
Color: Maximum Gain RGB/Master	-
Additional Gain Boost with Factor	1,5x
Sensor Model	MT9M001
Pixelpitch in µm	5,2
Optical Size	6,66 x 5,32 mm
Aspect Ratio	5:4
Exact Real Diagonal	8,5 mm, 1/1,9"

In scope of delivery:

Powerful, easy to handle uEye SDK
uEye Demo and Programexamples executable and Source Code.
uEye Camera Manager
TWAIN, Active-X and Direct Show (WDM) drivers
Interfaces for Activision Tools, Common Vision Blox, HALCON, LabVIEW and Neurocheck
GenICam™ Interface

Driver for Windows 2000, XP, VISTA and Linux

² = Use increases frame rate

