

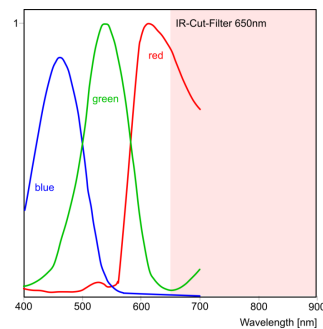
UI-2230SE-C-HQ Rev.3



Specification

Sensor

Sensor Technology	CCD Color
Manufacturer	Sony
Resolution (MPix)	0.80
Resolution (h x v)	1024 x 768
ADC	12 bit
Color depth (camera)	12 bit
Pixel Class	0.8 MP
Sensor Size	1/3"
Shutter	Global shutter
max. fps in Freerun Mode	40.0
Binning Modes	Mono
Subsampling Modes	-
Sensor Model	ICX204AK
Pixel size	4.65 μm
Optical Size	4.762 mm x 3.571 mm
Optical sensor diagonal	5.95 mm (1/2.69")



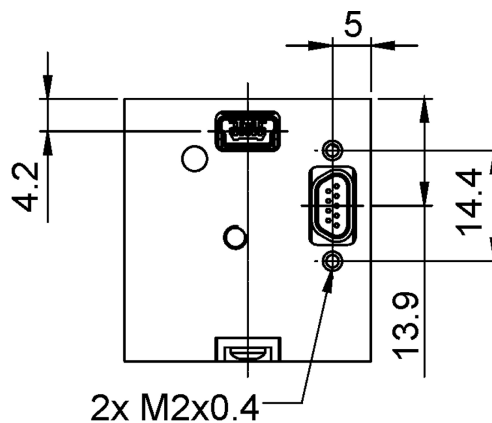
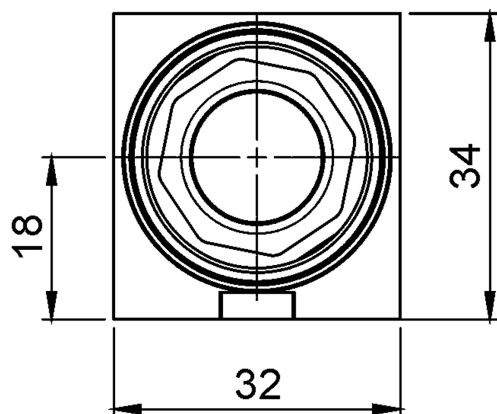
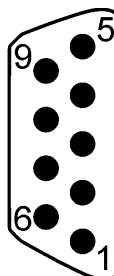
Design

Interface	USB 2
Lens Mount	C-Mount
I/O In	1 x optodecoupled
I/O Out	1 x optodecoupled
I/O RS-232	-
I/O GPIO	-
I/O I ² C	-
IP code	IP30
Dimensions H/W/L	34.0 mm x 32.0 mm x 48.3 mm
Mass	79 g
Power supply	USB Cable

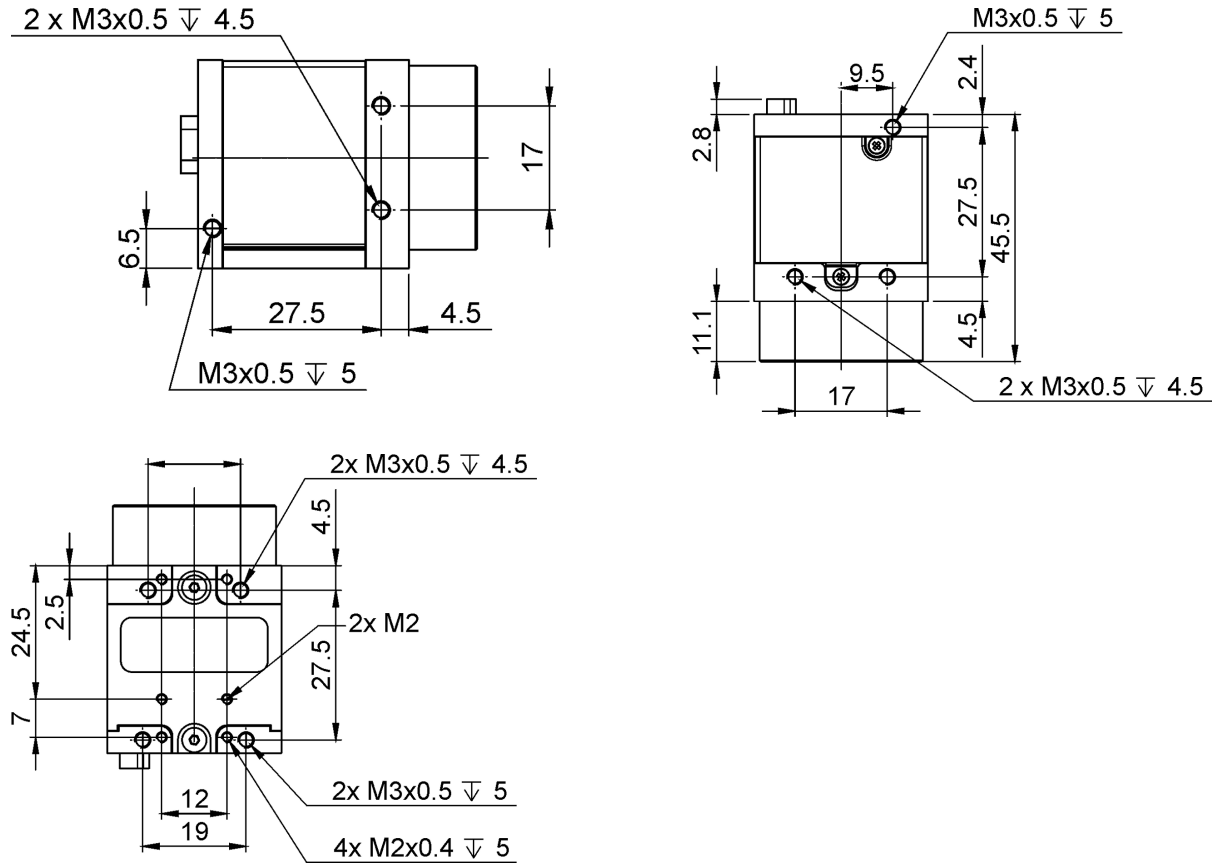
Subject to technical modifications

Pin assignment I/O connector

1	Digital output (-)
2	Digital input (+)
3	Shielding
4	USB Power supply (VCC) 5V
5	USB Ground (GND)
6	Digital output (+)
7	Digital input (-)
8	USB data (+)
9	USB data (-)



UI-2230SE-C-HQ Rev.3



Subject to technical modifications