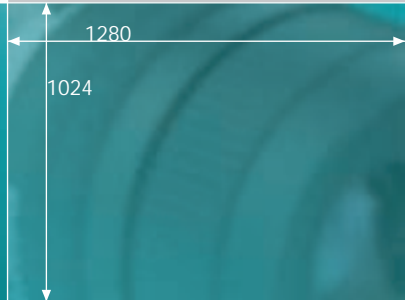




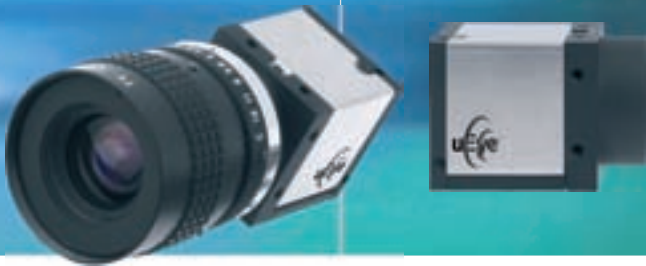
iDS



USB uEye[®] UI-2240SE-C/M

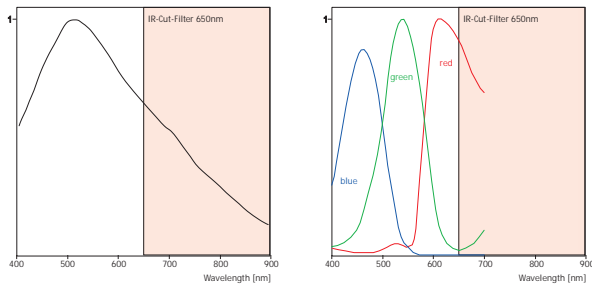
1,3 Mega pixels SXGA Camera with 1/2" CCD Sensor

USB uEye® UI-2240SE-M/UI-2240SE-C



The USB uEye® SE Family

The USB uEye® SE stands for a family of extremely compact, low-cost cameras for professional use in automation, quality assurance, security technology and non-industrial applications. Through the use of the widespread USB technology, the cameras can be interfaced with a vast variety of systems without any problems.

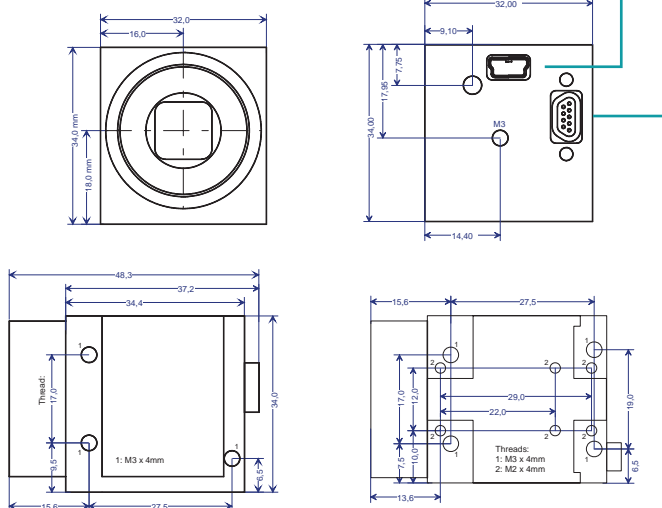


Sensor characteristics UI-2240SE-M

UI-2240SE-C

Screw-mounted Micro Sub-D connector for USB, Trigger and Digital-Out

Conventional USB Mini-B connector



Dimensions: uEye® CCD models

The characteristics at a glance

Interface	USB 2.0
Sensor Technology	CCD (Sony)
Model description (color)	UI-2240SE-C
Model description (Mono)	UI-2240SE-M
Resolution (h x v)	1280 x 1024
Resolution Category / Pixel Class	SXGA / 1,3 MP
Sensor size	1/2"
Shutter	Global
max. fps in Freerun Mode at full resolution	15 fps
max. fps in SW Trigger Mode at 1 ms exposure	17 fps
Exposuretime in Freerun Mode	66 µs - 1,36 s
Exposuretime in Trigger Mode	66 µs - 10 min
AOI Modes	H + V ²
AOI with 320 x 240 Pixels (CIF)	38 fps
Subsampling Modes	V ² (Color)
Subsampling Factors	4x
Binning Modes	V ² (Mono)
Binning Method	V: Summing
Binning Factors	2x, 3x, 4x
Resolution, fps	1280 x 512, 23 fps
Mono: Maximum Gain	13,66x
Color: Maximum Gain RGB/Master	4x /8,9x
Additional Gain Boost with Factor	2x (Mono)
Sensor Model	ICX205
Pixelpitch in µm	4,65
Optical Size	5,95 x 4,76 mm
Aspect Ratio	5:4
Exact Real Diagonal	7,6 mm, 1/2,1"

In scope of delivery:

Powerful, easy to handle uEye SDK
 uEye Demo and Programexamples executable and Source Code.
 uEye Camera Manager
 TWAIN, Active-X and Direct Show (WDM) drivers
 Interfaces for Activision Tools, Common Vision Blox, HALCON, LabVIEW and Neurocheck
 GenICam™ Interface

Driver for Windows 2000, XP, VISTA and Linux

² = Use increases frame rate

