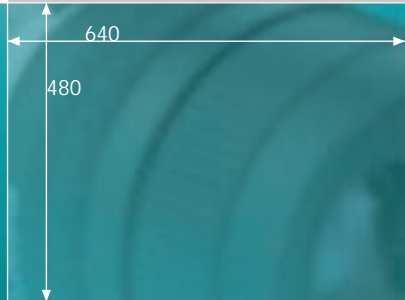




**iDS**



**USB uEye<sup>®</sup> UI-2410SE-C/M**

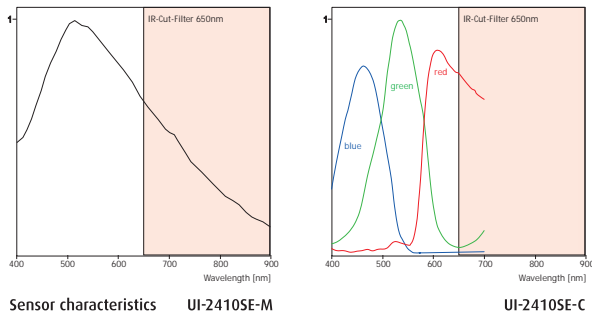
**VGA Camera with 1/3" CCD Sensor**

# USB uEye® UI-2410SE-M / UI-2410SE-C



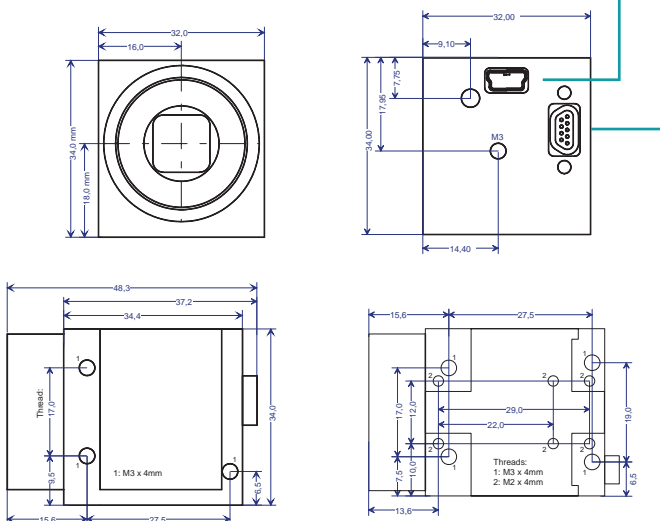
## The USB uEye® SE Family

The USB uEye® SE stands for a family of extremely compact, low-cost cameras for professional use in automation, quality assurance, security technology and non-industrial applications. Through the use of the widespread USB technology, the cameras can be interfaced with a vast variety of systems without any problems.



Screw-mounted Micro Sub-D connector for USB, Trigger and Digital-Out

Conventional USB Mini-B connector



Dimensions: uEye® CCD models

## The characteristics at a glance

Interface	USB 2.0
Sensor Technology	CCD (Sony)
Model description (color)	UI-2410SE-C
Model description (Mono)	UI-2410SE-M
Resolution (h x v)	640 x 480
Resolution Category / Pixel Class	VGA
Sensor size	1/3"
Shutter	Global
max. fps in Freerun Mode at full resolution	75 fps
max. fps in SW Trigger Mode at 1 ms exposure	69 fps
Exposuretime in Freerun Mode	44 µs - 638 ms
Exposuretime in Trigger Mode	44 µs - 10 min
AOI Modes	H + V <sup>2</sup>
AOI with 320 x 240 Pixels (CIF)	111 fps
Subsampling Modes	-
Subsampling Factors	-
Resolution, fps	-
Binning Modes	V <sup>2</sup> (Mono)
Binning Method	V: Summing
Binning Factors	2x, 3x, 4x
Resolution, fps	640 x 240, 133 fps
Mono: Maximum Gain	18x
Color: Maximum Gain RGB/Master	4x /12x
Additional Gain Boost with Factor	2x (Mono)
Sensor Model	ICX424
Pixelpitch in µm	7,4
Optical Size	4,74 x 3,55 mm
Aspect Ratio	4:3
Exact Real Diagonal	5,92 mm, 1/2,7"

### In scope of delivery:

Powerful, easy to handle uEye SDK  
 uEye Demo and Programexamples executable and Source Code.  
 uEye Camera Manager  
 TWAIN, Active-X and Direct Show (WDM) drivers  
 Interfaces for Activision Tools, Common Vision Blox, HALCON, LabVIEW and Neurocheck  
 GenICam™ Interface

Driver for Windows 2000, XP, VISTA and Linux

<sup>2</sup> = Use increases frame rate

