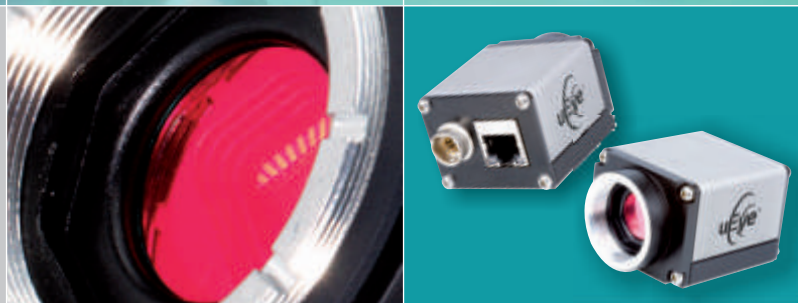




**iDS**



GigE uEye<sup>®</sup> UI-6210SE-C/M

VGA Camera with 1/2" CCD Sensor

# GigE uEye® SE UI-6210SE-M / UI-6210SE-C



## The characteristics at a glance

Gigabit Ethernet  
 CCD (Sony)  
 UI-6210SE-C  
 UI-6210SE-M

Interface  
 Sensor Technology  
 Model description (color)  
 Model description (Mono)  
 Resolution (h x v)  
 Resolution Category / Pixel Class

640 x 480  
 VGA

Sensor size  
 Shutter

1/2"  
 Global

max. fps in Freerun Mode at full resolution  
 max. fps in SW Trigger Mode at 1 ms exposure

75 fps  
 65 fps

Exposuretime in Freerun Mode  
 Exposuretime in Trigger Mode

40 µs - 630 ms  
 40 µs - 10 min

AOI Modes  
 AOI with 320 x 240 Pixels (CIF)

H + V²  
 122 fps

Subsampling Modes  
 Subsampling Factors  
 Resolution, fps

-  
 -  
 -

Binning Modes  
 Binning Method

H + V² (Mono)  
 H + V: Sum

Binning Factors  
 Resolution, fps

x2, x3, x4  
 320 x 240, 135 fps  
 212 x 160, 183 fps  
 160 x 120, 221 fps  
 20,78x  
 4x /12x  
 2x (Mono)

Mono: Maximum Gain  
 Color: Maximum Gain RGB/Master  
 Additional Gain Boost with Factor

20,78x  
 4x /12x  
 2x (Mono)

Sensor Model  
 Pixel Clock

ICX414  
 5 - 30 MHz

Pixelpitch in µm  
 Full Well Capacity  
 Optical Size  
 Aspect Ratio  
 Exact Real Diagonal

9,9  
 32.000 e-  
 6,34 x 4,75 mm  
 4:3  
 7,9 mm, 1/2,0"

In scope of delivery:

Powerful, easy to handle uEye SDK  
 uEye Demo and Programexamples  
 executable and Source Code.  
 uEye Camera Manager  
 TWAIN, Active-X and Direct Show  
 (WDM) drivers  
 Interfaces for Activision Tools,  
 Common Vision Blox, HALCON,  
 LabVIEW and Neurocheck  
 GeniCam™ Interface

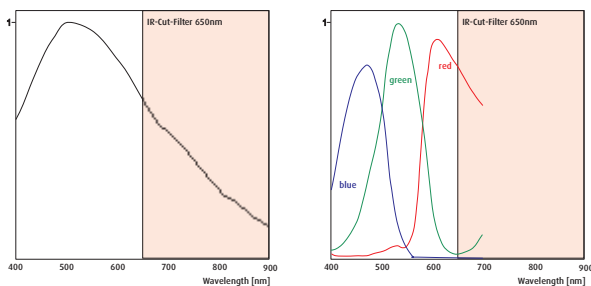
² = Use increases frame rate  
 \* = in preparation

Driver for Windows 2000, XP, VISTA  
 and Linux\*



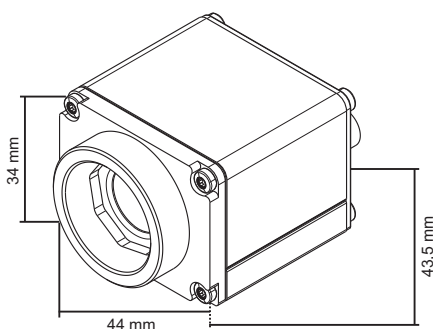
## The GigE uEye® SE family

The GigE uEye® SE extends the broad range of uEye® industrial cameras by very compact models with Gigabit Ethernet interface, specially tailored to the needs of plant and machinery manufacturers. The bandwidth is 2.5 times higher than with USB and cable lengths up to 100 m are possible.



Sensor Characteristics UI-6210SE-M

UI-6210SE-C



Dimensions GigE uEye SE CCD-Model