



**iDS**



1600  
1200

GigE uEye® UI-6250SE-C/M

2 Megapixels UXGA Camera with 1/1.8" CCD Sensor

# GigE uEye® SE UI-6250SE-M / UI-6250SE-C



## The characteristics at a glance

Gigabit Ethernet  
CCD (Sony)  
UI-6250SE-C  
UI-6250SE-M

Interface  
Sensor Technology  
Model description (color)  
Model description (Mono)  
Resolution (h x v)  
Resolution Category / Pixel Class

1600 x 1200  
UXGA / 2 MP

Sensor size  
Shutter

1/1.8"  
Global

max. fps in Freerun Mode at full resolution  
max. fps in SW Trigger Mode at 1 ms exposure

12,5 fps  
12 fps

Exposuretime in Freerun Mode  
Exposuretime in Trigger Mode

94 µs - 1,57 s  
94 µs - 5 s

AOI Modes  
AOI with 320 x 240 Pixels (CIF)

H + V<sup>2</sup>  
47 fps

Subsampling Modes  
Subsampling Factors  
Resolution, fps

V<sup>2</sup> (2x: Color)  
x2, x4  
800 x 600, 24 fps  
400 x 300, 43 fps

Binning Modes  
Binning Method

H + V<sup>2</sup> (Mono)  
H + V: Sum

Binning Factors  
Resolution, fps

x2, x3, x4  
800 x 600, 24 fps  
532 x 300, 34 fps  
600 x 300, 43 fps  
13,78x  
4x /8,9x  
2x (Mono)

Mono: Maximum Gain  
Color: Maximum Gain RGB/Master  
Additional Gain Boost with Factor

Sensor Model  
Pixel Clock

ICX274  
5 - 30 MHz

Pixelpitch in µm  
Full Well Capacity  
Optical Size  
Aspect Ratio  
Exact Real Diagonal

4,4  
9.000 e-  
7,04 x 5,28 mm  
4:3  
8,8 mm, 1/1,8"

In scope of delivery:

Powerful, easy to handle uEye SDK  
uEye Demo and Programexamples  
executable and Source Code.  
uEye Camera Manager  
TWAIN, Active-X and Direct Show  
(WDM) drivers  
Interfaces for Activision Tools,  
Common Vision Blox, HALCON,  
LabVIEW and Neurocheck  
GeniCam™ Interface

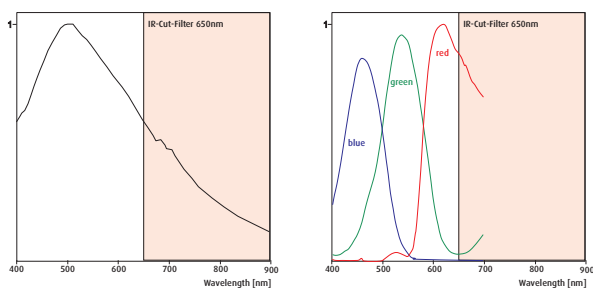
<sup>2</sup> = Use increases frame rate  
\* = in preparation

Driver for Windows 2000, XP, VISTA  
and Linux<sup>2</sup>



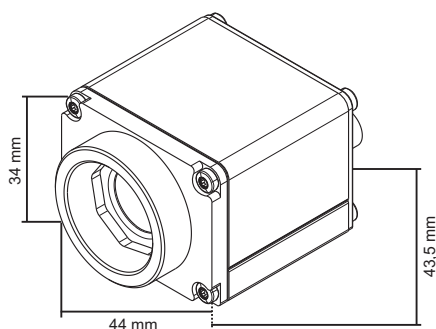
## The GigE uEye® SE family

The GigE uEye® SE extends the broad range of uEye® industrial cameras by very compact models with Gigabit Ethernet interface, specially tailored to the needs of plant and machinery manufacturers. The bandwidth is 2.5 times higher than with USB and cable lengths up to 100 m are possible.



Sensor Characteristics UI-6250SE-M

UI-6250SE-C



Dimensions GigE uEye SE CCD-Model